

2023

 **Comfortex**
WINDOW FASHIONS

Distributed by:

 **MDS** Midwest
WINDOW FASHIONS Designer
Supply

1-888-523-2611



COLOR LUX[™]

COLOR LUX[®] ROLLER SHADES

Manufacturer's Price List and Reference Guide

Effective April 17, 2023



Detailed Table of Contents



Hardware



Photos



Price Grids



Videos



Product Specifications



Installation




General Information



Web



 Requires you to leave document

Color Lux Roller Shades Price List - Effective 04.17.2023

Version 1	Original Price List Effective April 17, 2023	Uploaded 03/17/2023
-----------	--	---------------------










 **Hardware Options**

 **Skyline
Hardware Options**






 **Fabric Information**

Color Lux® Roller Shades

HARDWARE OPTIONS

	Key Features	Control Options	Hardware Color Options	Hardware Size (Depth x Height)	Roll Style
Skyline Roller Only 	<ul style="list-style-type: none"> • Skyline System • Sturdy aluminum tube for durability • Perfect under top treatments • Cord loop length does not change while operating shade 	<ul style="list-style-type: none"> • Cord Loop • Motorization 	<ul style="list-style-type: none"> • White, • Vanilla, • Black, • Bronze and • Satin Nickel Clutch, Bracket Covers, Bead Chain and Tensioner	Standard 2½" x 2⅜" 2¼" x 2⅞"	Standard Reverse
Designer Cassette with Fabric Insert Strip 	<ul style="list-style-type: none"> • Cassette head rail features a matching fabric insert • Hides the roller shade mechanism for a tailored appearance 	<ul style="list-style-type: none"> • Cord Loop • Cordless • FeatherTouch • Motorization 	<ul style="list-style-type: none"> • White • Ivory • Black • Satin Nickel • Oil Rubbed Bronze All with fabric insert strip	3¾" x 2⅞"	Standard
Designer Cassette with Fabric Wrap 	<ul style="list-style-type: none"> • Head rail is wrapped with matching shade fabric • Head rail is white, black or oil rubbed bronze beneath the fabric wrap • Hides the mechanism for a soft appearance from top to bottom 	<ul style="list-style-type: none"> • Cord Loop • Cordless • FeatherTouch • Motorization 	<ul style="list-style-type: none"> • White • Ivory • Black • Satin Nickel • Oil Rubbed Bronze All with fabric wrap	3¾" x 2⅞"	Standard
Designer Cassette with Metallic Finish 	<ul style="list-style-type: none"> • Smooth finish head rail hides the roller shade mechanism • High quality finish for a modern appearance 	<ul style="list-style-type: none"> • Cord Loop • Cordless • FeatherTouch • Motorization 	<ul style="list-style-type: none"> • White • Ivory • Black • Satin Nickel • Oil Rubbed Bronze 	3¾" x 2⅞"	Standard
FeatherTouch Cordless 	<ul style="list-style-type: none"> • Precision alignment across all shades • Smooth operation • Safe for homes with children and pets • Magnetic wand for hard to reach places 	<ul style="list-style-type: none"> • Cordless 	<ul style="list-style-type: none"> • White • Black • Designer Nickel 	Varies see page 81	Standard
Cordless with Deco-Bar 	<ul style="list-style-type: none"> • Cord-free system • Operates like a spring roller shade with a gentle pull on the bottom rail to raise and lower the shade • Smooth and quiet operation • Ideal from homes with children and pets • Clear handle included to ensure clean bottom rail 	<ul style="list-style-type: none"> • Cordless 	<ul style="list-style-type: none"> • White • Black • Ivory • Satin Nickel • Bronze Color Coordinated Bracket Covers	Shades to 72" (varies by fabric) 1½" x 2¼" Over 72" (varies by fabric) 1¾" x 2¾"	Standard Reverse
7.4V Rechargeable PowerTouch 	<ul style="list-style-type: none"> • Raise & lower shading with the push of a button • Eliminate the need to stand by the shading to operate; just touch and go • Favorite position button • Rechargeable battery with recharge port on pendant 	<ul style="list-style-type: none"> • Simplicity 	<ul style="list-style-type: none"> • Skyline Roller • Designer Cassette (All) • Wand and Pendant available in white or black 	Designer Cassette: 3¾" x 2⅞" No Head Rail: Varies by shade size	Standard Reverse with Standard Roller

Color Lux® Roller Shades
HARDWARE OPTIONS

	Key Features	Control Options	Hardware Color Options	Hardware Size (Depth x Height)	Roll Style
<p>7.4V Rechargeable Bluetooth™ Simplicity Motorization & Heavy Duty Motors</p>  <p>Bluetooth™</p>	<ul style="list-style-type: none"> • All Rechargeable Motorization now available with RF and Bluetooth™ capability • Raise and lower shades at the push of a button or use the free app; ideal for larger shades • Includes “favorite” or intermediate position • Child and pet safe • Operate multiple shades simultaneously • Integrated rechargeable battery, no battery wand mounting needed • Works with NEO Smart App for programming schedules and scenes 	<ul style="list-style-type: none"> • Rechargeable Motorization now with Bluetooth™ • Heavy Duty Motorization for larger shades • Both now with Quietude™ Technology 	<ul style="list-style-type: none"> • Standard Roller • Designer Cassette (All) 	<p>Minimum Shade Width is 19.5”</p> <p>Max size varies by fabric</p>	<p>Standard</p> <p>Reverse with Standard Roller</p>
<p>4” Skyline Fascia</p> 	<ul style="list-style-type: none"> • Conceals the Skyline Roller hardware system • Cornice look • Cord Loop and Motorization • Fascia coordinates with all Skyline colors 	<ul style="list-style-type: none"> • Cord Loop • Motorization • NOW with Heavy Duty Motorization 	<ul style="list-style-type: none"> • Black • Brushed Nickel • Vanilla • Bronze • White 	<p>4” x 4”</p>	<p>Standard</p>
<p>Designer Cassette with Retractable Cord</p> 	<ul style="list-style-type: none"> • Cords are white or black and coordinate with the clutch selected • Smooth and simple operation • Does not require a cord tensioner • Ideal for out of reach shades 	<ul style="list-style-type: none"> • White or Black Retractable Cord • Left or Right hand control 	<ul style="list-style-type: none"> • White • Ivory • Black • Satin Nickel • Oil Rubbed Bronze 	<p>3¾” x 2⅞”</p>	<p>Standard</p>
<p>Spring Assist with Designer Cassette</p> 	<ul style="list-style-type: none"> • Reduces the pull force of cord loop shades by up to 40% • Available with Designer Cassette in Sections 1 and 3 of the fabric grids • Decorative cassette conceals the tube and fabric for even very large shades 	<ul style="list-style-type: none"> • Cord Loop 	<ul style="list-style-type: none"> • White • Ivory • Black • Satin Nickel • Oil Rubbed Bronze <p>All Cassette Options</p>	<p>3¾” x 2⅞”</p>	<p>Standard</p>
COLOR LUX ROLLER DECORATIVE OPTIONS					
<p>Bottom Rails</p> 	<ul style="list-style-type: none"> • Add an a decorative accent to bottom of your shade or fabric wrap the bottom rail for a soft look. • Two clear plastic end caps secure the fabric in place. 	<p>All hardware</p>	<ul style="list-style-type: none"> • White • Black • Bronze • Aluminum • Vanilla <p>Fabric wrap rail colors are street side</p>	<p>NA</p>	<p>NA</p>

Color Lux® Roller Shades

SKYLINE HARDWARE OPTIONS

Color Lux provides beautiful color coordination for various hardware options to provide ultimate roller shade design and quality. White, Ivory and Black Skyline hardware is standard on all Color Lux Roller shades. All components are color coordinated, including clutch, bracket covers, bead chain and the tensioner. See individual price grids for pricing.

Skyline Hardware in White



Designer Cassette with Skyline Hardware



Standard Roller with Skyline Hardware



4" Skyline Fascia

Clutch, Cassette, Bead Chain, Brackets, Bracket Covers and Tensioner are in White

Skyline Hardware in Ivory



Designer Cassette with Skyline Hardware



Standard Roller with Skyline Hardware



4" Skyline Fascia

Clutch, Cassette, Bead Chain, Brackets, Bracket Covers and Tensioner are in Ivory

Skyline Hardware in Black



Designer Cassette with Skyline Hardware



Standard Roller with Skyline Hardware



4" Skyline Fascia

Clutch, Cassette, Bead Chain, Brackets, Bracket Covers and Tensioner are in Black

Color Lux® Roller Shades

SKYLINE HARDWARE OPTIONS

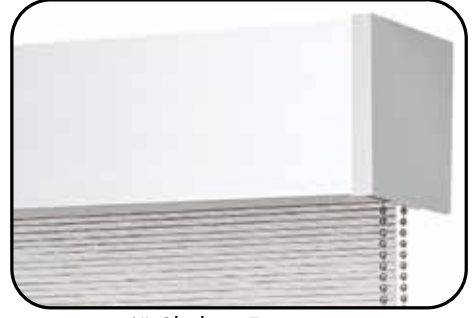
Skyline Hardware in Satin Nickel



Designer Cassette with Skyline Hardware



Standard Roller with Skyline Hardware



4" Skyline Fascia

Clutch, Cassette, Bead Chain, Bracket. Bracket Covers and Tensioner are in Satin Nickel.

Skyline Hardware in Bronze



Designer Cassette with Skyline Hardware



Standard Roller with Skyline Hardware



4" Skyline Fascia

Clutch, Cassette, Bead Chain, Brackets, Bracket Covers and Tensioner are in Bronze

Dual Roller Shades



Black and White Brackets



Mix and Match Light Filtering and Blackout Fabrics

Dual Roller Shades are available with Remote Motorization and Cord Loop Control

Color Lux® Roller Shades
FABRIC INFORMATION

Choosing the Right Color Lux Roller Fabric

What are the fabric contents of each fabric?

- Classic Duck Light Filtering is 100% Polyester
- Classic Duck Blackout is 100% Polyester
- Strata Light Filtering is 100% Polyester
- Linen Light Filtering is 100% Polyester
- Linen Blackout is 100% Polyester with a foam coated backing
- 5% Screen is 70% PVC, 30% Polyester

Classic Duck Light Filtering and Blackout Fabrics

Classic Duck provides the perfect canvas for all 800 Color Lux colors. A simple weave works well with any complementary fabric textures. Available in Light Filtering and Blackout. Also available in Color Lux Custom Graphics.

Strata Light Filtering Fabrics

Strata provides the natural texture of hand woven fabrics that is popular in many home fashions today. The attention to detail in this fabric is apparent in it’s perfect opacity and slightly textured surface. Strata is perfect for solids and patterns.

Linen Light Filtering and Blackout Fabrics

Linen provides the natural timeless look of linen fabric into Color Lux Roller Shades. Light Filtering allows in just the right amount of opacity to maintain privacy but allow light into the home. Linen Blackout is perfect for bedroom and media room applications.

5% Screen

The 5% Screen is a perfect basketweave screen fabric that balances privacy and light control. All shades printed on 5% Screen stays white and clean to the outside, which looks beautiful and provides optimal light reflectance. 5% Screen is also available in Color Lux Custom Graphics.


5% Screen Properties

5% Screen		Optical Properties		Thermal Properties		
		OF	TV	RS	TS	AS
Composition: 70% PVC	Chalk	5%	13%	68%	17%	15%
30% PES	Phthalate Free	Formaldehyde Free				
Weight: 410 g/m2	Lead Free	GreenGuard® Indoor Air Quality Certified				
UV Blockage: 95%	Zero VOC	Oeko-Tex Standard 100 Certified				
		Fire Rating: NFPA 701-10 TM #1				

TS = Solar Transmittance OF= Openness Factor
 RS = Solar Reflectance 1/4 CL = 1/4" Clear Glass
 AS = Solar Absorptance 1/4 HA = 1/4" Heat Absorbing Glass
 TV = Visual Transmittance



 **1** **Strata Light Filtering**
Skyline Standard Roller Shade

 **6** **5% Screen (PVC)**
Skyline Standard Roller Shade

 **2** **Linen Light Filtering**
Skyline Standard Roller Shade

 **7** **Color Lux Custom Graphics
Classic Duck Light Filtering**
Skyline Standard Roller Shade

 **3** **Linen Blackout**
Skyline Standard Roller Shade

 **8** **Color Lux Custom Graphics
Classic Duck Blackout**
Skyline Standard Roller Shade

 **4** **Classic Duck Light Filtering**
Skyline Standard Roller Shade

 **9** **Color Lux Custom Graphic
5% Screen**
Skyline Standard Roller Shade

 **5** **Classic Duck Blackout**
Skyline Standard Roller Shade

 **Shutter Shade**
Skyline Standard Roller Shade

Skyline Standard Roller Shade

Price Group 1 | Strata Light Filtering

		Width In Inches																
		24	30	36	42	48	54	60	66	72	78	84	90	96	102	106	112	116
Length In Inches	36	318	354	393	436	483	535	595	671	745	836	951	1046	1127	1218	1313	1343	1598
	42	326	363	402	447	495	552	611	690	767	858	974	1070	1156	1251	1350	1376	1641
	48	337	373	415	461	511	568	626	707	786	880	1000	1101	1189	1282	1386	1412	1684
	54	348	381	423	471	522	577	644	725	805	901	1026	1127	1220	1318	1421	1451	1728
	60	354	393	436	482	535	595	660	745	827	926	1051	1155	1247	1348	1455	1482	1769
	66	363	400	446	494	550	610	675	760	844	947	1074	1186	1278	1380	1490	1523	1814
	72	370	414	456	510	561	623	690	780	867	970	1104	1209	1310	1412	1528	1556	1857
	78	381	421	469	518	572	637	707	798	885	994	1127	1238	1339	1446	1560	1594	1901
	84	388	430	476	527	588	654	725	814	907	1013	1153	1270	1370	1481	1596	1630	1943
	90	399	440	488	541	601	667	739	836	927	1037	1177	1296	1400	1540	1647	1665	1986
	96	404	449	497	556	614	680	755	855	945	1060	1205	1326	1431	1605	1686	1701	2031
	102	419	464	513	571	632	703	780	880	977	1082	1232	1354	1462	1645	1722		
	108	426	473	526	580	646	717	795	898	997	1106	1255	1380	1490	1656	1778		
	114	434	482	533	594	660	732	811	915	1017	1127	1282	1409	1524	1696	1830		
120	444	492	548	607	672	747	827	933	1037	1148	1307	1439	1552	1722	1899			
126	452	503	557	622	684	761	843	952	1059	1172	1332	1465	1588	1761	1923			
132	464	513	571	632	702	779	862	971	1079	1197	1359	1495	1617	1796				
138	473	523	579	644	713	794	879	990	1101	1220	1386	1525	1647	1825				
144	482	531	590	660	726	809	894	1010	1122	1240	1412	1555	1683	1897				

Color Lux Strata Light Filtering: Minimum standard shade size is 12" x 12". Maximum shade width is 116" and it CANNOT be railroaded.

Head Rail Options and Surcharges

***Maximum Length for All Designer Cassette options is 120"**

Section 1	Available: Designer Cassette (All), Cordless (see specs below), Fascia (All), Retractable Cord, Motorization (All Options), Standard Roller
Section 2	Available with 4" Fascia (R-Series and Skyline), Motorization (All), PowerTouch Rechargeable, Standard Roller. Designer Cassette Not Available.
Section 3	Available with Spring Assist with Designer Cassette, 4" Fascia, Heavy Duty Motorization and No Headrail Roller. Low Voltage NOT Available.

Roller Only Options

Skyline Clutch (White, Ivory, Black)	No Additional Surcharge
Skyline Clutch (Satin Nickel and Bronze)	\$36
Skyline Dual Roller (Price two separate shades, then add surcharge)	\$36
Cordless with White, Ivory and Black Deco-Bar	\$54
Cordless with Bronze and Satin Nickel Deco-Bar	\$79
FeatherTouch™ Cordless with EZ Mount Hardware in White and Black	\$54
FeatherTouch™ Cordless with EZ Mount Hardware in Designer Nickel	\$79
Spring Assist with Designer Cassette (Available in Sections 1 & 3) Minimum width 36", Max Length 144", see fabric grids for exceptions	\$54 PLUS Designer Cassette Surcharge
Friction Fit Mounting System	\$94
Fabric Valance for no head rail options and Friction Fit	\$42
Scotchgard™ Stain Protection for Roller Shades	\$49

FeatherTouch Cordless Specifications:
Maximum width is 84"; Minimum width is 21"; If width is 23" or less, then maximum length is 65". If width is over 23", then maximum length is 84".

Friction Fit Mounting System
Minimum Width varies by operation
Maximum Width (all operations) is 84"
Available in Section 1 Only.
Cordloop not available with Cassette.

Designer Cassette and Fascia Options

	24	30	36	42	48	54	60	66	72	78	84	90	96	102	108	114	120
White, Ivory, Black, Satin Nickel, and Oil Rubbed Bronze Includes Smooth Face, Insert Strip and Fabric Wrap	100	107	114	123	130	141	150	159	163	168	170	185	192	197	204	233	262
4" Skyline Fascia	82	90	92	94	107	123	133	148	161	173	187	204	213	226	241	253	265
Cordless, FeatherTouch™ & Retractable Cord with Cassette	Add \$54 PLUS the Designer Cassette Surcharge for all operating options																

Motorization: Available with Designer Cassette, 4" Skyline Fascia, and Standard Roller

Add Motorization surcharges to base shade price, plus desired hardware options

PowerTouch Rechargeable	\$100	per shade
Simplicity BLUETOOTH™ with Quietude™ Technology	\$300	per shade
Simplicity Non-Rechargeable & Low Voltage	\$300	per shade
Simplicity BLUETOOTH™ Heavy Duty with Quietude™ Technology	\$420	per shade
Simplicity Low Voltage Hard Wired Transformer	\$232	per transformer
Simplicity 14 Channel Remote in White or Black	\$50	per remote
Simplicity Smart Controller	\$280	per controller
EZ Charge Wand and Receiver	\$32/\$18	each
Solar Panel	\$120	per panel
Charger for Simplicity Rechargeable Motor	\$30	per charger
Charger for Heavy Duty Rechargeable Motor	\$45	per charger

Cordless Specifications:
Minimum width is 15½"; Maximum Width is 96";
Maximum Length is 96"

- Tube Information for Clutch Operated Shades Only**
- Section 1:** Shades to the left of the dashed line requires a 1" tube/SL10" clutch
 - Shades to the right of the dashed line requires a 1½" tube/SL10 clutch
 - Section 3:** Shades in the blue section requires a 2" tube/SL20 clutch.
 - Section 4:** Shades in the orange section requires a 2½" tube/Galaxy 200 clutch

Skyline Standard Roller Shade

Price Group 2 | Linen Light Filtering

		Width In Inches																					
		24	30	36	42	48	54	60	66	72	78	84	90	96	102	106	112	118	124	130	136	144	
Length In Inches	36	318	354	393	436	483	535	595	671	745	836	951	1046	1127	1218	1313	1343	1598	1746	1903	2081	2271	
	42	326	363	402	447	495	552	611	690	767	858	974	1070	1156	1251	1350	1376	1641	1790	1959	2135	2336	
	48	337	373	415	461	511	568	626	707	786	880	1000	1101	1189	1282	1386	1412	1684	1837	2007	2192	2391	
	54	348	381	423	471	522	577	644	725	805	901	1026	1127	1220	1318	1421	1451	1728	1885	2058	2249	2456	
	60	354	393	436	482	535	595	660	745	827	926	1051	1155	1247	1348	1455	1482	1769	1933	2112	2303	2483	
	66	363	400	446	494	550	610	675	760	844	947	1074	1186	1278	1380	1490	1523	1814	1980	2160	2361	2517	
	72	370	414	456	510	561	623	690	780	867	970	1104	1209	1310	1412	1528	1556	1857	2028	2212	2418	2554	
	78	381	421	469	518	572	637	707	798	885	994	1127	1238	1339	1446	1560	1594	1901	2074	2264	2427	2776	
	84	388	430	476	527	588	654	725	814	907	1013	1153	1270	1370	1481	1596	1630	1943	2122	2186	2434	2857	
	90	399	440	488	541	601	667	739	836	927	1037	1177	1296	1400	1540	1647	1665	1986	2170	2234	2456	2943	
	96	404	449	497	556	614	680	755	855	945	1060	1205	1326	1431	1605	1686	1701	2031	2215	2281	2739	3032	
	102	419	464	513	571	632	703	780	880	977	1082	1232	1354	1462	1645	1722							
	108	426	473	526	580	646	717	795	898	997	1106	1255	1380	1490	1656	1778							
	114	434	482	533	594	660	732	811	915	1017	1127	1282	1409	1524	1696	1830							
	120	444	492	548	607	672	747	827	933	1037	1148	1307	1439	1552	1722	1899							
	126	452	503	557	622	684	761	843	952	1059	1172	1332	1465	1588	1761	1923							
132	464	513	571	632	702	779	862	971	1079	1197	1359	1495	1617	1796	2031								
*138	473	523	579	644	713	794	879	990	1101	1220	1386	1525	1647	1825	2066								
144	482	531	590	660	726	809	894	1010	1122	1240	1412	1555	1683	1897									

Color Lux Linen Light Filtering: Minimum standard shade size is 12" x 12". Maximum shade width is 116" and it can be railroded to a maximum width of 144" and a maximum length of 96".

***Maximum Length for All Designer Cassette options is 138"**

Head Rail Options and Surcharges

Section 1	Available: Designer Cassette (All), Cordless (see specs below), Fascia (All), Retractable Cord, Motorization (All Options), Standard Roller
Section 2	Available with 4" Fascia (R-Series and Skyline), Motorization (All), PowerTouch Rechargeable, Standard Roller. Designer Cassette Not Available.
Section 3	Available with Spring Assist with Designer Cassette, 4" Fascia, Heavy Duty Motorization and No Headrail Roller. Low Voltage NOT Available.
Section 4	Available with Heavy Duty Motorization and Standard Roller. Low Voltage Motorization NOT Available.

Roller Only Options

Skyline Clutch (White, Ivory, Black)	No Additional Surcharge
Skyline Clutch (Satin Nickel and Bronze)	\$36
Skyline Dual Roller (Price two separate shades, then add surcharge)	\$36
Cordless with White, Ivory and Black Deco-Bar	\$54
Cordless with Bronze and Satin Nickel Deco-Bar	\$79
FeatherTouch™ Cordless with EZ Mount Hardware in White and Black	\$54
FeatherTouch™ Cordless with EZ Mount Hardware in Designer Nickel	\$79
Spring Assist with Designer Cassette (Available in Sections 1 & 3) Minimum width 36", Max Length 144", see fabric grids for exceptions	\$54 PLUS Designer Cassette Surcharge
Friction Fit Mounting System	\$94
Fabric Valance for no head rail options and Friction Fit	\$42
Scotchgard™ Stain Protection for Roller Shades	\$49

FeatherTouch Cordless Specifications:
Maximum width is 84"; Minimum width is 20"; If width is 30" or less, then maximum length is 57". If width is over 30", then maximum length is 84".

Friction Fit Mounting System
Minimum Width varies by operation
Maximum Width (all operations) is 84"
Available in Section 1 Only.
Cordloop not available with Cassette.

Designer Cassette and Fascia Options

	24	30	36	42	48	54	60	66	72	78	84	90	96	102	108	114	120
White, Ivory, Black, Satin Nickel, and Oil Rubbed Bronze Includes Smooth Face, Insert Strip and Fabric Wrap	100	107	114	123	130	141	150	159	163	168	170	185	192	197	204	233	262
4" Skyline Fascia	82	90	92	94	107	123	133	148	161	173	187	204	213	226	241	253	265
Cordless, FeatherTouch™ & Retractable Cord with Cassette	Add \$54 PLUS the Designer Cassette Surcharge for all operating options																

Motorization: Available with Designer Cassette, 4" Skyline Fascia, and Standard Roller

Add Motorization surcharges to base shade price, plus desired hardware options

PowerTouch Rechargeable	\$100	per shade
Simplicity BLUETOOTH™ with Quietude™ Technology	\$300	per shade
Simplicity Non-Rechargeable & Low Voltage	\$300	per shade
Simplicity BLUETOOTH™ Heavy Duty with Quietude™ Technology	\$420	per shade
Simplicity Low Voltage Hard Wired Transformer	\$232	per transformer
Simplicity 14 Channel Remote in White or Black	\$50	per remote
Simplicity Smart Controller	\$280	per controller
EZ Charge Wand and Receiver	\$32/\$18	each
Solar Panel	\$120	per panel
Charger for Simplicity Rechargeable Motor	\$30	per charger
Charger for Heavy Duty Rechargeable Motor	\$45	per charger

Cordless Specifications:
Minimum width is 15½"; Maximum Width is 96";
Maximum Length is 96"

Tube Information for Clutch Operated Shades Only

- **Section 1:** Shades to the left of the dashed line requires a 1" tube/SL10" clutch
- Shades to the right of the dashed line requires a 1½" tube/SL10 clutch
- **Section 3:** Shades in the blue section requires a 2" tube/SL20 clutch.
- **Section 4:** Shades in the orange section requires a 2½" tube/Galaxy 200 clutch

Skyline Standard Roller Shade

Price Group 3 | Linen Blackout

Length In Inches	Width In Inches																				
	24	30	36	42	48	54	60	66	72	78	84	90	96	102	106	112	118	124	130	136	144
36	354	393	436	482	536	595	661	745	827	928	1053	1162	1250	1351	1457	1489	1774	1939	2115	2311	2518
42	361	402	446	495	553	613	679	767	850	952	1082	1189	1283	1389	1498	1528	1824	1987	2174	2368	2592
48	373	414	463	511	567	631	694	785	872	977	1109	1220	1320	1425	1540	1569	1869	2039	2230	2432	2657
54	387	423	469	522	580	642	714	803	892	1000	1142	1250	1355	1463	1578	1615	1919	2095	2283	2495	2833
60	393	436	482	535	595	660	732	827	918	1026	1166	1281	1386	1495	1616	1645	1964	2146	2343	2556	3021
66	402	445	494	550	610	675	750	843	937	1052	1194	1314	1417	1532	1656	1689	2018	2196	2398	2723	3220
72	412	461	508	565	623	690	767	866	960	1074	1225	1343	1454	1569	1698	1727	2061	2252	2455	2906	3431
78	422	466	521	572	637	707	785	887	986	1104	1250	1374	1486	1605	1731	1769	2111	2303	2618	3098	3659
84	430	478	527	586	649	725	803	904	1005	1125	1279	1409	1523	1640	1772	1808	2157	2354	2788	3300	3900
90	442	488	541	601	667	740	821	927	1030	1151	1307	1439	1554	1708	1831	1849	2206	2509	2975	3517	4157
96	449	497	555	616	684	755	837	947	1047	1175	1338	1473	1588	1783	1873	1887	2253	2673	3171	3750	4431
102	466	514	571	633	702	780	867	977	1085	1283	1463	1605	1736	1955	2045						
108	472	526	583	644	718	795	882	996	1106	1312	1493	1639	1772	1965	2112						
114	482	533	592	660	732	811	901	1017	1128	1250	1425	1562	1689	1881	2028						
*120	492	548	607	672	748	827	918	1037	1151	1276	1450	1596	1723	1912	2107						
126	503	557	620	688	760	844	934	1056	1172	1302	1481	1627	1761	1955	2135						
132	514	571	633	702	776	864	956	1078	1197	1327	1508	1659	1793	1993							
138	526	579	642	714	792	881	975	1101	1220	1355	1540	1694	1831	2025							
144	533	590	655	730	806	898	994	1122	1243	1379	1569	1727	1869	2105							

Color Lux Linen Blackout: Minimum standard shade size is 12" x 12". Maximum shade width is 116" and it can be railroaded to a maximum width of 144" and a maximum length of 96".

*Maximum Length for All Designer Cassette options is 120"

Head Rail Options and Surcharges

Section 1	Available: Designer Cassette (All), Cordless (see specs below), Fascia (All), Retractable Cord, Motorization (All Options), Standard Roller
Section 2	Available with 4" Fascia (R-Series and Skyline), Motorization (All), PowerTouch Rechargeable, Standard Roller. Designer Cassette Not Available.
Section 3	Available with Spring Assist with Designer Cassette, 4" Fascia, Heavy Duty Motorization and No Headrail Roller. Low Voltage NOT Available.
Section 4	Available with Heavy Duty Motorization and Standard Roller. Low Voltage Motorization NOT Available.

Roller Only Options

Skyline Clutch (White, Ivory, Black)	No Additional Surcharge
Skyline Clutch (Satin Nickel and Bronze)	\$36
Skyline Dual Roller (Price two separate shades, then add surcharge)	\$36
Cordless with White, Ivory and Black Deco-Bar	\$54
Cordless with Bronze and Satin Nickel Deco-Bar	\$79
FeatherTouch™ Cordless with EZ Mount Hardware in White and Black	\$54
FeatherTouch™ Cordless with EZ Mount Hardware in Designer Nickel	\$79
Spring Assist with Designer Cassette (Available in Sections 1 & 3) Minimum width 36", Max Length 144", see fabric grids for exceptions	\$54 PLUS Designer Cassette Surcharge
Friction Fit Mounting System	\$94
Fabric Valance for no head rail options and Friction Fit	\$42
Scotchgard™ Stain Protection for Roller Shades	\$49

FeatherTouch Cordless Specifications:
Maximum width is 84"; Minimum width is 17"; If width is 26" or less, then maximum length is 51". If width is over 26", then maximum length is 84".

Friction Fit Mounting System
Minimum Width varies by operation
Maximum Width (all operations) is 84"
Available in Section 1 Only.
Cordloop not available with Cassette.

Designer Cassette and Fascia Options	24	30	36	42	48	54	60	66	72	78	84	90	96	102	108	114	120
White, Ivory, Black, Satin Nickel, and Oil Rubbed Bronze Includes Smooth Face, Insert Strip and Fabric Wrap	100	107	114	123	130	141	150	159	163	168	170	185	192	197	204	233	262
4" Skyline Fascia	82	90	92	94	107	123	133	148	161	173	187	204	213	226	241	253	265
Cordless, FeatherTouch™ & Retractable Cord with Cassette	Add \$54 PLUS the Designer Cassette Surcharge for all operating options																

Motorization: Available with Designer Cassette, 4" Skyline Fascia, and Standard Roller

Add Motorization surcharges to base shade price, plus desired hardware options

PowerTouch Rechargeable	\$100	per shade
Simplicity BLUETOOTH™ with Quietude™ Technology	\$300	per shade
Simplicity Non-Rechargeable & Low Voltage	\$300	per shade
Simplicity BLUETOOTH™ Heavy Duty with Quietude™ Technology	\$420	per shade
Simplicity Low Voltage Hard Wired Transformer	\$232	per transformer
Simplicity 14 Channel Remote in White or Black	\$50	per remote
Simplicity Smart Controller	\$280	per controller
EZ Charge Wand and Receiver	\$32/\$18	each
Solar Panel	\$120	per panel
Charger for Simplicity Rechargeable Motor	\$30	per charger
Charger for Heavy Duty Rechargeable Motor	\$45	per charger

Cordless Specifications:
Minimum width is 15½"; Maximum Width is 96";
Maximum Length is 96"

Tube Information for Clutch Operated Shades Only

- **Section 1:** Shades to the left of the dashed line requires a 1" tube/SL10" clutch
- Shades to the right of the dashed line requires a 1½" tube/SL10 clutch
- **Section 3:** Shades in the blue section requires a 2" tube/SL20 clutch.
- **Section 4:** Shades in the orange section requires a 2½" tube/Galaxy 200 clutch

Skyline Standard Roller Shade

Price Group 4 | Classic Duck Light Filtering

Length In Inches	Width In Inches																				
	24	30	36	42	48	54	60	66	72	78	84	90	96	102	106	112	118	124	130	136	144
36	318	354	393	436	483	535	595	671	745	836	951	1046	1127	1218	1313	1343	1598	1746	1903	2081	2271
42	326	363	402	447	495	552	611	690	767	858	974	1070	1156	1251	1350	1376	1641	1790	1959	2135	2336
48	337	373	415	461	511	568	626	707	786	880	1000	1101	1189	1282	1386	1412	1684	1837	2007	2192	2391
54	348	381	423	471	522	577	644	725	805	901	1026	1127	1220	1318	1421	1451	1728	1885	2058	2249	2456
60	354	393	436	482	535	595	660	745	827	926	1051	1155	1247	1348	1455	1482	1769	1933	2112	2303	2483
66	363	400	446	494	550	610	675	760	844	947	1074	1186	1278	1380	1490	1523	1814	1980	2160	2361	2517
72	370	414	456	510	561	623	690	780	867	970	1104	1209	1310	1412	1528	1556	1857	2028	2212	2418	2554
78	381	421	469	518	572	637	707	798	885	994	1127	1238	1339	1446	1560	1594	1901	2074	2264	2427	2776
84	388	430	476	527	588	654	725	814	907	1013	1153	1270	1370	1481	1596	1630	1943	2122	2186	2434	2857
90	399	440	488	541	601	667	739	836	927	1037	1177	1296	1400	1540	1647	1665	1986	2170	2234	2456	2943
96	404	449	497	556	614	680	755	855	945	1060	1205	1326	1431	1605	1686	1701	2031	2215	2281	2739	3032
102	419	464	513	571	632	703	780	880	977	1082	1232	1354	1462	1645	1722						
108	426	473	526	580	646	717	795	898	997	1106	1255	1380	1490	1656	1778						
114	434	482	533	594	660	732	811	915	1017	1127	1282	1409	1524	1696	1830						
120	444	492	548	607	672	747	827	933	1037	1148	1307	1439	1552	1722	1899						
126	452	503	557	622	684	761	843	952	1059	1172	1332	1465	1588	1761	1923						
132	464	513	571	632	702	779	862	971	1079	1197	1359	1495	1617	1796	2031						
138	473	523	579	644	713	794	879	990	1101	1220	1386	1525	1647	1825	2066						
144	482	531	590	660	726	809	894	1010	1122	1240	1412	1555	1683	1897	2122						

Classic Duck Light Filtering: Minimum standard shade size is 12" x 12". Maximum shade width is 106" and it can be railroaded to a maximum width of 144" and a maximum length of 96".

Head Rail Options and Surcharges

Section 1	Available: Designer Cassette (All), Cordless (see specs below), Fascia (All), Retractable Cord, Motorization (All Options), Standard Roller
Section 3	Available with Spring Assist with Designer Cassette, 4" Fascia, Heavy Duty Motorization and No Headrail Roller. Low Voltage NOT Available.
Section 4	Available with Heavy Duty Motorization and Standard Roller. Low Voltage Motorization NOT Available.

Roller Only Options

Skyline Clutch (White, Ivory, Black)	No Additional Surcharge
Skyline Clutch (Satin Nickel and Bronze)	\$36
Skyline Dual Roller (Price two separate shades, then add surcharge)	\$36
Cordless with White, Ivory and Black Deco-Bar	\$54
Cordless with Bronze and Satin Nickel Deco-Bar	\$79
FeatherTouch™ Cordless with EZ Mount Hardware in White and Black	\$54
FeatherTouch™ Cordless with EZ Mount Hardware in Designer Nickel	\$79
Spring Assist with Designer Cassette (Available in Sections 1 & 3) Minimum width 36", Max Length 144", see fabric grids for exceptions	\$54 PLUS Designer Cassette Surcharge
Friction Fit Mounting System	\$94
Fabric Valance for no head rail options and Friction Fit	\$42
Scotchgard™ Stain Protection for Roller Shades	\$49

FeatherTouch Cordless Specifications:
Maximum width is 84"; Minimum width is 19"; If width is 30" or less, then maximum length is 61". If width is over 30", then maximum length is 84".

Friction Fit Mounting System
Minimum Width varies by operation
Maximum Width (all operations) is 84"
Available in Section 1 Only.
Cordloop not available with Cassette.

Designer Cassette and Fascia Options

	24	30	36	42	48	54	60	66	72	78	84	90	96	102	108	114	120
White, Ivory, Black, Satin Nickel, and Oil Rubbed Bronze Includes Smooth Face, Insert Strip and Fabric Wrap	100	107	114	123	130	141	150	159	163	168	170	185	192	197	204	233	262
4" Skyline Fascia	82	90	92	94	107	123	133	148	161	173	187	204	213	226	241	253	265
Cordless, FeatherTouch™ & Retractable Cord with Cassette	Add \$54 PLUS the Designer Cassette Surcharge for all operating options																

Motorization: Available with Designer Cassette, 4" Skyline Fascia, and Standard Roller

Add Motorization surcharges to base shade price, plus desired hardware options

PowerTouch Rechargeable	\$100	per shade
Simplicity BLUETOOTH™ with Quietude™ Technology	\$300	per shade
Simplicity Non-Rechargeable & Low Voltage	\$300	per shade
Simplicity BLUETOOTH™ Heavy Duty with Quietude™ Technology	\$420	per shade
Simplicity Low Voltage Hard Wired Transformer	\$232	per transformer
Simplicity 14 Channel Remote in White or Black	\$50	per remote
Simplicity Smart Controller	\$280	per controller
EZ Charge Wand and Receiver	\$32/\$18	each
Solar Panel	\$120	per panel
Charger for Simplicity Rechargeable Motor	\$30	per charger
Charger for Heavy Duty Rechargeable Motor	\$45	per charger

Cordless Specifications:
Minimum width is 15½"; Maximum Width is 96";
Maximum Length is 96"

Tube Information for Clutch Operated Shades Only

- Section 1: Shades to the left of the dashed line requires a 1" tube/SL10" clutch
- Shades to the right of the dashed line requires a 1½" tube/SL10 clutch
- Section 3: Shades in the blue section requires a 2" tube/SL20 clutch.
- Section 4: Shades in the orange section requires a 2½" tube/Galaxy 200 clutch

Skyline Standard Roller Shade

Price Group 5 | Classic Duck Blackout

		Width In Inches																				
		24	30	36	42	48	54	60	66	72	78	84	90	96	102	106	112	118	124	130	136	144
Length In Inches	36	354	393	436	482	536	595	661	745	827	928	1053	1162	1250	1351	1457	1489	1774	1939	2115	2311	2518
	42	361	402	446	495	553	613	679	767	850	952	1082	1189	1283	1389	1498	1528	1824	1987	2174	2368	2592
	48	373	414	463	511	567	631	694	785	872	977	1109	1220	1320	1425	1540	1569	1869	2039	2230	2432	2657
	54	387	423	469	522	580	642	714	803	892	1000	1142	1250	1355	1463	1578	1615	1919	2095	2283	2495	2833
	60	393	436	482	535	595	660	732	827	918	1026	1166	1281	1386	1495	1616	1645	1964	2146	2343	2556	3021
	66	402	445	494	550	610	675	750	843	937	1052	1194	1314	1417	1532	1656	1689	2018	2196	2398	2723	3220
	72	412	461	508	565	623	690	767	866	960	1074	1225	1343	1454	1569	1698	1727	2061	2252	2455	2906	3431
	78	422	466	521	572	637	707	785	887	986	1104	1250	1374	1486	1605	1731	1769	2111	2303	2618	3098	3659
	84	430	478	527	586	649	725	803	904	1005	1125	1279	1409	1523	1640	1772	1808	2157	2354	2788	3300	3900
	90	442	488	541	601	667	740	821	927	1030	1151	1307	1439	1554	1708	1831	1849	2206	2509	2975	3517	4157
	96	449	497	555	616	684	755	837	947	1047	1175	1338	1473	1588	1783	1873	1887	2253	2673	3171	3750	4431
	102	466	514	571	633	702	780	867	977	1085	1283	1463	1605	1736	1955	2045						
	108	472	526	583	644	718	795	882	996	1106	1312	1493	1639	1772	1965	2112						
	114	482	533	592	660	732	811	901	1017	1128	1250	1425	1562	1689	1881	2028						
120	492	548	607	672	748	827	918	1037	1151	1276	1450	1596	1723	1912	2107							
126	503	557	620	688	760	844	934	1056	1172	1302	1481	1627	1761	1955	2135							
132	514	571	633	702	776	864	956	1078	1197	1327	1508	1659	1793	1993	2176							
138	526	579	642	714	792	881	975	1101	1220	1355	1540	1694	1831	2025	2218							
144	533	590	655	730	806	898	994	1122	1243	1379	1569	1727	1869	2105	2264							

Classic Duck Blackout: Minimum standard shade size is 12" x 12". Maximum shade width is 106" and it can be railroaded to a maximum width of 144" and a maximum length of 96"

Head Rail Options and Surcharges

Section 1	Available: Designer Cassette (All), Cordless (see specs below), Fascia (All), Retractable Cord, Motorization (All Options), Standard Roller
Section 3	Available with Spring Assist with Designer Cassette, 4" Fascia, Heavy Duty Motorization and No Headrail Roller. Low Voltage NOT Available.
Section 4	Available with Heavy Duty Motorization and Standard Roller. Low Voltage Motorization NOT Available.

Roller Only Options

Skyline Clutch (White, Ivory, Black)	No Additional Surcharge
Skyline Clutch (Satin Nickel and Bronze)	\$36
Skyline Dual Roller (Price two separate shades, then add surcharge)	\$36
Cordless with White, Ivory and Black Deco-Bar	\$54
Cordless with Bronze and Satin Nickel Deco-Bar	\$79
FeatherTouch™ Cordless with EZ Mount Hardware in White and Black	\$54
FeatherTouch™ Cordless with EZ Mount Hardware in Designer Nickel	\$79
Spring Assist with Designer Cassette (Available in Sections 1 & 3) Minimum width 36", Max Length 144", see fabric grids for exceptions	\$54 PLUS Designer Cassette Surcharge
Friction Fit Mounting System	\$94
Fabric Valance for no head rail options and Friction Fit	\$42
Scotchgard™ Stain Protection for Roller Shades	\$49

FeatherTouch Cordless Specifications:
Maximum width is 84"; Minimum width is 17"; If width is 26" or less, then maximum length is 53". If width is over 26", then maximum length is 84".

Friction Fit Mounting System
Minimum Width varies by operation
Maximum Width (all operations) is 84"
Available in Section 1 Only.
Cordloop not available with Cassette.

Designer Cassette and Fascia Options

	24	30	36	42	48	54	60	66	72	78	84	90	96	102	108	114	120
White, Ivory, Black, Satin Nickel, and Oil Rubbed Bronze Includes Smooth Face, Insert Strip and Fabric Wrap	100	107	114	123	130	141	150	159	163	168	170	185	192	197	204	233	262
4" Skyline Fascia	82	90	92	94	107	123	133	148	161	173	187	204	213	226	241	253	265
Cordless, FeatherTouch™ & Retractable Cord with Cassette	Add \$54 PLUS the Designer Cassette Surcharge for all operating options																

Motorization: Available with Designer Cassette, 4" Skyline Fascia, and Standard Roller

Add Motorization surcharges to base shade price, plus desired hardware options

PowerTouch Rechargeable	\$100	per shade
Simplicity BLUETOOTH™ with Quietude™ Technology	\$300	per shade
Simplicity Non-Rechargeable & Low Voltage	\$300	per shade
Simplicity BLUETOOTH™ Heavy Duty with Quietude™ Technology	\$420	per shade
Simplicity Low Voltage Hard Wired Transformer	\$232	per transformer
Simplicity 14 Channel Remote in White or Black	\$50	per remote
Simplicity Smart Controller	\$280	per controller
EZ Charge Wand and Receiver	\$32/\$18	each
Solar Panel	\$120	per panel
Charger for Simplicity Rechargeable Motor	\$30	per charger
Charger for Heavy Duty Rechargeable Motor	\$45	per charger

Cordless Specifications:
Minimum width is 15½"; Maximum Width is 96";
Maximum Length is 96"

- Tube Information for Clutch Operated Shades Only**
- Section 1:** Shades to the left of the dashed line requires a 1" tube/SL10" clutch
 - Shades to the right of the dashed line requires a 1½" tube/SL10 clutch
 - Section 3:** Shades in the blue section requires a 2" tube/SL20 clutch.
 - Section 4:** Shades in the orange section requires a 2½" tube/Galaxy 200 clutch

Skyline Standard Roller Shade

Price Group 6 | 5% Screen (PVC)

		Width In Inches																				
		24	30	36	42	48	54	60	66	72	78	84	90	96	102	106	112	118	124	130	136	144
Length In Inches	36	354	393	436	482	536	595	661	745	827	928	1053	1162	1250	1351	1457	1489	1774	1939	2115	2311	2518
	42	361	402	446	495	553	613	679	767	850	952	1082	1189	1283	1389	1498	1528	1824	1987	2174	2368	2592
	48	373	414	463	511	567	631	694	785	872	977	1109	1220	1320	1425	1540	1569	1869	2039	2230	2432	2657
	54	387	423	469	522	580	642	714	803	892	1000	1142	1250	1355	1463	1578	1615	1919	2095	2283	2495	2833
	60	393	436	482	535	595	660	732	827	918	1026	1166	1281	1386	1495	1616	1645	1964	2146	2343	2556	3021
	66	402	445	494	550	610	675	750	843	937	1052	1194	1314	1417	1532	1656	1689	2018	2196	2398	2723	3220
	72	412	461	508	565	623	690	767	866	960	1074	1225	1343	1454	1569	1698	1727	2061	2252	2455	2906	3431
	78	422	466	521	572	637	707	785	887	986	1104	1250	1374	1486	1605	1731	1769	2111	2303	2618	3098	3659
	84	430	478	527	586	649	725	803	904	1005	1125	1279	1409	1523	1640	1772	1808	2157	2354	2788	3300	3900
	90	442	488	541	601	667	740	821	927	1030	1151	1307	1439	1554	1708	1831	1849	2206	2509	2975	3517	4157
	96	449	497	555	616	684	755	837	947	1047	1175	1338	1473	1588	1783	1873	1887	2253	2673	3171	3750	4431
	102	466	514	571	633	702	780	867	977	1085	1283	1463	1605	1736	1955	2045						
	108	472	526	583	644	718	795	882	996	1106	1312	1493	1639	1772	1965	2112						
	114	482	533	592	660	732	811	901	1017	1128	1250	1425	1562	1689	1881	2028						
120	492	548	607	672	748	827	918	1037	1151	1276	1450	1596	1723	1912	2107							
126	503	557	620	688	760	844	934	1056	1172	1302	1481	1627	1761	1955	2135							
132	514	571	633	702	776	864	956	1078	1197	1327	1508	1659	1793	1993	2176							
138	526	579	642	714	792	881	975	1101	1220	1355	1540	1694	1831	2025	2218							
144	533	590	655	730	806	898	994	1122	1243	1379	1569	1727	1869	2105								

5% Screen: Minimum standard shade size is 12" x 12". Maximum shade width is 116" and can be railroaded to a maximum width of 144" & a maximum length of 96".

Head Rail Options and Surcharges

Section 1	Available: Designer Cassette (All), Cordless (see specs below), Fascia (All), Retractable Cord, Motorization (All Options), Standard Roller
Section 3	Available with Spring Assist with Designer Cassette, 4" Fascia, Heavy Duty Motorization and No Headrail Roller. Low Voltage NOT Available.
Section 4	Available with Heavy Duty Motorization and Standard Roller. Low Voltage Motorization NOT Available.

Roller Only Options

Skyline Clutch (White, Ivory, Black)	No Additional Surcharge
Skyline Clutch (Satin Nickel and Bronze)	\$36
Skyline Dual Roller (Price two separate shades, then add surcharge)	\$36
Cordless with White, Ivory and Black Deco-Bar	\$54
Cordless with Bronze and Satin Nickel Deco-Bar	\$79
FeatherTouch™ Cordless with EZ Mount Hardware in White and Black	\$54
FeatherTouch™ Cordless with EZ Mount Hardware in Designer Nickel	\$79
Spring Assist with Designer Cassette (Available in Sections 1 & 3) Minimum width 36", Max Length 144", see fabric grids for exceptions	\$54 PLUS Designer Cassette Surcharge
Friction Fit Mounting System	\$94
Fabric Valance for no head rail options and Friction Fit	\$42
Scotchgard™ Stain Protection for Roller Shades	\$49

Friction Fit Mounting System

Minimum Width varies by operation
Maximum Width (all operations) is 84"
Available in Section 1 Only.
Cordloop not available with Cassette.

FeatherTouch Cordless Specifications:

Maximum width is 84"; Minimum width is 19"; If width is 26" or less, then maximum length is 49". If width is over 26", then maximum length is 84".

Designer Cassette and Fascia Option

	24	30	36	42	48	54	60	66	72	78	84	90	96	102	108	114	120
White, Ivory, Black, Satin Nickel, and Oil Rubbed Bronze Includes Smooth Face, Insert Strip and Fabric Wrap	100	107	114	123	130	141	150	159	163	168	170	185	192	197	204	233	262
4" Skyline Fascia	82	90	92	94	107	123	133	148	161	173	187	204	213	226	241	253	265
Cordless, FeatherTouch™ & Retractable Cord with Cassette	Add \$54 PLUS the Designer Cassette Surcharge for all operating options																

Motorization: Available with Designer Cassette, 4" Skyline Fascia, and Standard Roller

Add Motorization surcharges to base shade price, plus desired hardware options	
PowerTouch Rechargeable	\$100 per shade
Simplicity BLUETOOTH™ with Quietude™ Technology	\$300 per shade
Simplicity Non-Rechargeable & Low Voltage	\$300 per shade
Simplicity BLUETOOTH™ Heavy Duty with Quietude™ Technology	\$420 per shade
Simplicity Low Voltage Hard Wired Transformer	\$232 per transformer
Simplicity 14 Channel Remote in White or Black	\$50 per remote
Simplicity Smart Controller	\$280 per controller
EZ Charge Wand and Receiver	\$32/\$18 each
Solar Panel	\$120 per panel
Charger for Simplicity Rechargeable Motor	\$30 per charger
Charger for Heavy Duty Rechargeable Motor	\$45 per charger

Cordless Specifications:

Minimum width is 15½"; Maximum Width is 96";
Maximum Length is 96"

Tube Information for Clutch Operated Shades Only

- **Section 1:** Shades to the left of the dashed line requires a 1" tube/SL10 clutch
- Shades to the right of the dashed line requires a 1½" tube/SL10 clutch
- **Section 3:** Shades in the blue section requires a 2" tube/SL20 clutch.
- **Section 4:** Shades in the orange section requires a 2½" tube/Galaxy 200 clutch

**Color Lux Custom Graphics
Skyline Standard Roller Shade**

GRID 7 Classic Duck Light Filtering

		Width In Inches																				
		24	30	36	42	48	54	60	66	72	78	84	90	96	102	106	112	118	124	130	136	144
Length In Inches	36	399	441	490	544	605	669	745	838	930	1043	1187	1308	1406	1522	1642	1677	1999	2181	2380	2603	2837
	42	405	452	503	559	622	688	764	862	958	1071	1218	1339	1445	1564	1686	1718	2053	2237	2450	2666	2917
	48	421	466	518	575	638	709	782	883	983	1100	1251	1378	1485	1603	1734	1766	2107	2297	2510	2741	2991
	54	434	476	529	587	653	722	805	906	1006	1125	1282	1406	1524	1647	1778	1814	2158	2358	2573	2812	3068
	60	441	490	544	603	669	744	824	930	1035	1157	1313	1443	1560	1684	1819	1854	2212	2416	2640	2878	3103
	66	452	501	557	618	687	761	843	949	1056	1183	1343	1481	1597	1724	1866	1904	2268	2475	2700	2952	3145
	72	463	516	569	636	703	779	864	975	1083	1213	1380	1512	1639	1766	1912	1946	2322	2535	2763	3021	3191
	78	476	525	586	646	717	796	883	997	1106	1244	1406	1548	1671	1808	1949	1992	2377	2592	2830	3035	3467
	84	486	536	595	660	732	817	906	1017	1132	1267	1441	1586	1712	1851	1995	2036	2427	2652	2733	3044	3572
	90	495	550	611	676	751	834	924	1043	1159	1297	1471	1620	1751	1923	2059	2081	2480	2711	2791	3068	3681
	96	507	564	623	694	767	851	943	1068	1178	1321	1507	1658	1789	2004	2109	2127	2538	2771	2854	3423	3792
	102	523	580	642	713	790	879	975	1100	1220	1352	1539	1693	1826	2058	2152						
	108	531	592	656	725	809	898	993	1121	1247	1381	1567	1724	1866	2069	2223						
	114	541	601	667	741	824	914	1013	1144	1271	1406	1603	1759	1908	2117	2289						
	120	555	614	684	759	841	932	1035	1167	1297	1435	1634	1796	1942	2152	2373						
	126	565	628	699	775	856	952	1052	1189	1320	1467	1665	1831	1985	2200	2402						
132	580	642	713	790	875	974	1078	1213	1349	1495	1700	1868	2020	2246	2538							
138	592	654	724	805	890	991	1098	1237	1378	1524	1734	1909	2059	2280	2583							
144	601	664	738	822	907	1010	1119	1262	1400	1552	1766	1944	2104	2371	2652							

Classic Duck Light Filtering: Minimum standard shade size is 12" x 12". Maximum shade width is 106" and it can be railroaded to a maximum width of 144" and a maximum length of 96". Double sided printing is not available.

GRID 8 Classic Duck Blackout

**Color Lux Custom Graphics
Skyline Standard Roller Shade**

		Width In Inches																				
		24	30	36	42	48	54	60	66	72	78	84	90	96	102	106	112	118	124	130	136	144
Length In Inches	36	490	544	603	669	745	825	916	1033	1148	1288	1463	1612	1734	1873	2020	2066	2461	2688	2932	3206	3493
	42	501	557	620	688	767	847	941	1064	1178	1320	1498	1651	1781	1926	2077	2122	2529	2756	3016	3285	3597
	48	516	572	641	708	784	874	966	1088	1209	1355	1537	1693	1830	1976	2135	2176	2592	2831	3092	3375	3686
	54	536	586	649	724	803	891	990	1117	1239	1388	1582	1734	1880	2028	2188	2237	2661	2906	3170	3460	3929
	60	544	603	669	744	825	914	1015	1148	1273	1425	1617	1778	1920	2074	2242	2282	2726	2975	3252	3546	4189
	66	557	617	687	761	845	935	1041	1170	1300	1460	1656	1825	1966	2126	2295	2343	2798	3048	3324	3778	4468
	72	571	638	705	783	862	958	1065	1201	1335	1489	1701	1863	2016	2176	2356	2396	2859	3124	3406	4031	4761
	78	584	646	722	795	883	981	1088	1231	1364	1529	1734	1908	2061	2226	2402	2455	2927	3194	3632	4297	5076
	84	595	661	732	813	903	1005	1117	1255	1395	1562	1777	1956	2114	2276	2457	2509	2991	3265	3870	4578	5410
	90	613	678	750	834	924	1028	1136	1285	1428	1597	1812	1995	2157	2369	2539	2565	3061	3482	4127	4880	5770
	96	623	690	770	856	948	1046	1160	1312	1451	1628	1855	2042	2205	2473	2599	2618	3127	3710	4399	5202	6147
	102	646	714	791	879	972	1082	1202	1355	1507	1781	2028	2228	2407	2711	2837						
	108	654	729	807	892	996	1102	1223	1383	1533	1821	2070	2273	2457	2729	2930						
	114	669	739	821	913	1015	1125	1250	1409	1565	1734	1976	2166	2344	2610	2815						
	120	684	759	841	934	1036	1148	1273	1440	1597	1769	2011	2214	2391	2652	2922						
	126	698	773	859	955	1053	1171	1297	1466	1626	1806	2054	2256	2444	2711	2959						
132	714	791	879	972	1078	1199	1326	1493	1659	1842	2093	2303	2489	2766	3018							
138	729	802	891	993	1098	1221	1352	1525	1693	1880	2135	2349	2539	2809	3080							
144	739	817	910	1012	1119	1246	1380	1556	1724	1913	2176	2396	2592	2919	3148							

Classic Duck Blackout: Minimum standard shade size is 12" x 12". Maximum shade width is 106" and it can be railroaded to a maximum width of 144" and a maximum length of 96". Double sided printing is not available.

Color Lux Custom Graphics for Panel Track Shades

Available on Classic Duck Light Filtering, Classic Duck Blackout, and 5% Screen. See page 54 for price grids. Add 25% to Standard Rectangular price plus desired upgrades.

Color Lux Custom Graphics
Skyline Standard Roller Shade

GRID 9

Width In Inches

	24	30	36	42	48	54	60	66	72	78	84	90	96	102	106	112	118	124	130	136	144
36	490	544	603	669	745	825	916	1033	1148	1288	1463	1612	1734	1873	2020	2066	2461	2688	2932	3206	3493
42	501	557	620	688	767	847	941	1064	1178	1320	1498	1651	1781	1926	2077	2122	2529	2756	3016	3285	3597
48	516	572	641	708	784	874	966	1088	1209	1355	1537	1693	1830	1976	2135	2176	2592	2831	3092	3375	3686
54	536	586	649	724	803	891	990	1117	1239	1388	1582	1734	1880	2028	2188	2237	2661	2906	3170	3460	3929
60	544	603	669	744	825	914	1015	1148	1273	1425	1617	1778	1920	2074	2242	2282	2726	2975	3252	3546	4189
66	557	617	687	761	845	935	1041	1170	1300	1460	1656	1825	1966	2126	2295	2343	2798	3048	3324	3778	4468
72	571	638	705	783	862	958	1065	1201	1335	1489	1701	1863	2016	2176	2356	2396	2859	3124	3406	4031	4761
78	584	646	722	795	883	981	1088	1231	1364	1529	1734	1908	2061	2226	2402	2455	2927	3194	3632	4297	5076
84	595	661	732	813	903	1005	1117	1255	1395	1562	1777	1956	2114	2276	2457	2509	2991	3265	3870	4578	5410
90	613	678	750	834	924	1028	1136	1285	1428	1597	1812	1995	2157	2369	2539	2565	3061	3482	4127	4880	5770
96	623	690	770	856	948	1046	1160	1312	1451	1628	1855	2042	2205	2473	2599	2618	3127	3710	4399	5202	6147
102	646	714	791	879	972	1082	1202	1355	1507	1781	2028	2228	2407	2711	2837						
108	654	729	807	892	996	1102	1223	1383	1533	1821	2070	2273	2457	2729	2930						
114	669	739	821	913	1015	1125	1250	1409	1565	1734	1976	2166	2344	2610	2815						
120	684	759	841	934	1036	1148	1273	1440	1597	1769	2011	2214	2391	2652	2922						
126	698	773	859	955	1053	1171	1297	1466	1626	1806	2054	2256	2444	2711	2959						
132	714	791	879	972	1078	1199	1326	1493	1659	1842	2093	2303	2489	2766	3018						
138	729	802	891	993	1098	1221	1352	1525	1693	1880	2135	2349	2539	2809	3080						
144	863	954	1062	1182	1307	1455	1612	1817	2013	2234	2542	2798	3028	3409							

5% Screen: Minimum standard shade size is 12" x 12". Maximum shade width is 116" and can be railroaded to a maximum width of 144" with a maximum length of 96". Double Sided printing is only available on 5% Screen.

Head Rail Options and Surcharges

Section 1	Available: Designer Cassette (All), Cordless (see specs below), Fascia (All), Retractable Cord, Motorization (All Options), Standard Roller
Section 3	Available with Spring Assist with Designer Cassette, 4" Fascia, Heavy Duty Motorization and No Headrail Roller. Low Voltage NOT Available.
Section 4	Available with Heavy Duty Motorization and Standard Roller. Low Voltage Motorization NOT Available.

Roller Only Options

Skyline Clutch (White, Ivory, Black)	No Additional Surcharge
Skyline Clutch (Satin Nickel and Bronze)	\$36
Skyline Dual Roller (Price two separate shades, then add surcharge)	\$36
Cordless with White, Ivory and Black Deco-Bar	\$54
Cordless with Bronze and Satin Nickel Deco-Bar	\$79
FeatherTouch™ Cordless with EZ Mount Hardware in White and Black	\$54
FeatherTouch™ Cordless with EZ Mount Hardware in Designer Nickel	\$79
Spring Assist with Designer Cassette (Available in Sections 1 & 3) Minimum width 36", Max Length 144", see fabric grids for exceptions	\$54 PLUS Designer Cassette Surcharge
Friction Fit Mounting System	\$94
Fabric Valance for no head rail options and Friction Fit	\$42
Scotchgard™ Stain Protection for Roller Shades	\$49

Cordless Specifications:
Minimum width is 15½"; Maximum Width is 96";
Maximum Length is 96"

Friction Fit Mounting System
Minimum Width varies by operation
Maximum Width (all operations) is 84"
Available in Section 1 Only.
Cordloop not available with Cassette.

Designer Cassette and Fascia Options

	24	30	36	42	48	54	60	66	72	78	84	90	96	102	108	114	120
White, Ivory, Black, Satin Nickel, and Oil Rubbed Bronze Includes Smooth Face and Insert Stripp	100	107	114	123	130	141	150	159	163	168	170	185	192	197	204	233	262
4" Skyline Fascia	82	90	92	94	107	123	133	148	161	173	187	204	213	226	241	253	265
Cordless, FeatherTouch™ & Retractable Cord with Cassette	Add \$54 PLUS the Designer Cassette Surcharge for all operating options																

Motorization: Available with Designer Cassette, 4" Skyline Fascia, and Standard Roller

Add Motorization surcharges to base shade price, plus desired hardware options

PowerTouch Rechargeable	\$100	per shade
Simplicity BLUETOOTH™ with Quietude™ Technology	\$300	per shade
Simplicity Non-Rechargeable & Low Voltage	\$300	per shade
Simplicity BLUETOOTH™ Heavy Duty with Quietude™ Technology	\$420	per shade
Simplicity Low Voltage Hard Wired Transformer	\$232	per transformer
Simplicity 14 Channel Remote in White or Black	\$50	per remote
Simplicity Smart Controller	\$280	per controller
EZ Charge Wand and Receiver	\$32/\$18	each
Solar Panel	\$120	per panel
Charger for Simplicity Rechargeable Motor	\$30	per charger
Charger for Heavy Duty Rechargeable Motor	\$45	per charger

FeatherTouch Cordless is Available on ALL Custom Graphics Fabrics.
See page 22 for specifications

Tube Information for Clutch Operated Shades Only

- Section 1: Shades to the left of the dashed line requires a 1" tube/SL10 clutch
- Section 2: Shades to the right of the dashed line requires a 1½" tube/SL10 clutch
- Section 3: Shades in the blue section requires a 2" tube/SL20 clutch.
- Section 4: Shades in the orange section requires a 2½" tube/Galaxy 200 clutch



**Skyline Standard
Roller Hardware**



**Friction Fit
Mounting System**



**Cordless Roller
Deco-Bar Hardware**



**Simplicity Bluetooth
Motorization with
Quietude™ Technology**



**Feathertouch Cordless
With EZ Mount**



**Powertouch Rechargeable
*NO HEAD RAIL & DESIGNER CASSETTE***



**Designer Cassette
Insert Strip Hardware**



**12V Low Voltage
Hardwiring**



Two-On-One Headrail



**12V Simplicity
Motorization**



**Dual Roller
*Cordloop & Simplicity Motorization***



**Simplicity Smart
Controller**



**Retractable Cord
*DESIGNER CASSETTE***



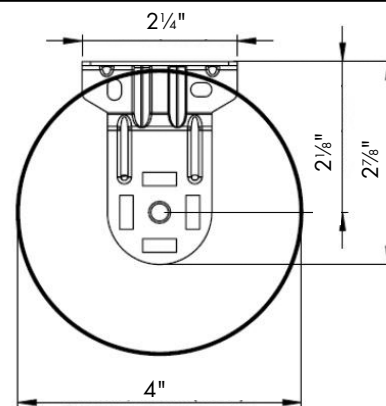
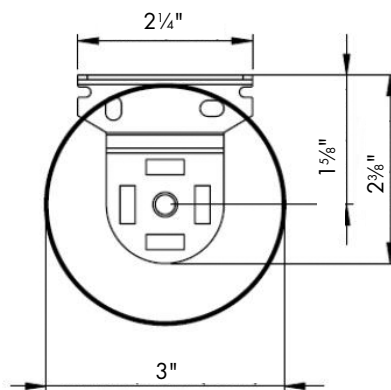
**Color Lux Custom
Graphic Shades**



**4\" Skyline Fascia
*Cordloop & Simplicity Motorization***

Color Lux® Roller Shades

SKYLINE STANDARD ROLLER HARDWARE SYSTEM



Hardware Features					
Roll Style:	Standard or reverse				
Bead Chain Color:	White, Black, Ivory, Satin Nickel and Bronze				
Clutch Color:	White, Black, Ivory, Satin Nickel and Bronze				
Bracket Cover Colors:	White, Black, Ivory, Satin Nickel and Bronze				
Bracket Colors:	White, Black, Ivory and Bronze				
Bottom Rail Style:	Fabric Wrapped or Exposed Bottom Rail				
Bottom Rail Color:	Fabric Wrapped: White, Black, Ivory, Brushed Aluminum and Bronze Exposed: White, Black, Ivory, Brushed Aluminum and Bronze				
Motorization	Skyline Standard Roller Hardware can be motorized with Simplicity Bluetooth™ Rechargeable Motorization, Heavy Duty Rechargeable Motorization and PowerTouch Rechargeable.				
Mounting Dimensions					
The standard 1" and 1 1/2" tubes are available with two brackets in 2 3/8" or 2 7/8" projection.					
Minimum depth for flush inside or side mount including installation brackets: 2 1/4"					
The oversized 2" tube is available with one bracket in a 2 7/8" projection.					
Minimum depth for flush inside mount including installation brackets: 2 1/4"					
Standard Roller Finished Dimensions	Standard Tube Cord Loop (1" & 1 1/2" diameter)	Standard Tube Motorized (1 1/2" diameter)	Oversized Tube Cord Loop (2" diameter)	Oversized Tube Cord Loop (2 1/2" diameter)	Heavy Duty Motorization (2" & 2 1/2" diameter)
Inside Mount (+/- 1/8")					
Bracket to Bracket:	Ordered width	Ordered width	Ordered width	Ordered width	Ordered width
End to End Roller Width:	Ordered width minus 1"	Ordered width minus 1 1/8"	Ordered width minus 1 1/16"	Ordered width minus 1 1/4"	Ordered width minus 1 3/16"
Fabric Width:	Ordered width minus 1 1/16"	Ordered width minus 1 3/16"	Ordered width minus 1 1/8"	Ordered width minus 1 5/16"	Ordered width minus 1 1/4"
Bottom Rail Width:	Ordered width minus 1 1/16"	Ordered width minus 1 3/16"	Ordered width minus 1 1/8"	Ordered width minus 1 5/16"	Ordered width minus 1 11/16"
Outside Mount and Inside Mount with Bracket Covers (+/- 1/8")					
End Cap Cover to End Cap Cover:	Ordered width	Ordered width	Ordered width	Ordered width	Ordered width
Bracket to Bracket:	Ordered width minus 1/8"	Ordered width minus 1/8"	Ordered width minus 1/8"	Ordered width minus 1/8"	Ordered width minus 1/8"
End to End Roller Width:	Ordered width minus 1 1/8"	Ordered width minus 1 1/4"	Ordered width minus 1 3/16"	Ordered width minus 1 3/8"	Ordered width minus 1 3/4"
Fabric Width:	Ordered width minus 1 3/16"	Ordered width minus 1 5/16"	Ordered width minus 1 1/4"	Ordered width minus 1 7/16"	Ordered width minus 1 13/16"
Bottom Rail Width:	Ordered width minus 1 3/16"	Ordered width minus 1 5/16"	Ordered width minus 1 1/4"	Ordered width minus 1 7/16"	Ordered width minus 1 13/16"

G200 clutch and Skyline Spring Assist require an additional 1/8" deduction from Cordloop 2" diameter shades.

Color Lux® Roller Shades

SKYLINE CORD LOOP HARDWARE OPTIONS



Skyline Hardware in White



Skyline Hardware in Ivory



Skyline Hardware in Black



Skyline Hardware in Bronze



Skyline Hardware in Satin Nickel

Tensioners for Cord Loop Shades

Cord Loop Roller Shades feature a new tensioner design for easy mounting and smooth operation. Available in five finishes that matches the clutch control on Skyline Cord Loop roller shades, now every part of a Skyline Roller shade will coordinate from top to bottom.



White Tensioner



Black Tensioner



Ivory Tensioner



Bronze Tensioner



Satin Nickel Tensioner

Color Lux Roller Shade Cord Loop Information

Color Lux Roller Shades are available with a choice of colored bead chain colors.

- Select white, black, bronze or steel bead chain with the Standard Roller, Fascia, and Designer Cassette head rail options.
- The bead chain will measure the length indicated below unless otherwise specified.

SHADE HEIGHT	LOOP DROP
12" to 15 ⁷ / ₈ "	² / ₃ of shade height
16" to 29 ⁷ / ₈ "	³ / ₄ of shade height
30" - 35 ⁷ / ₈ "	24" Loop
36" - 41 ⁷ / ₈ "	30" Loop
42" - 47 ⁷ / ₈ "	36" Loop
48" - 53 ⁷ / ₈ "	42" Loop
54" - 59 ⁷ / ₈ "	48" Loop
60" - 65 ⁷ / ₈ "	54" Loop
66" - 71 ⁷ / ₈ "	60" Loop
72" - 77 ⁷ / ₈ "	66" Loop
78" - 89 ⁷ / ₈ "	72" Loop
90" - 101 ⁷ / ₈ "	84" Loop
102" - 113 ⁷ / ₈ "	96" Loop
114" - above	² / ₃ of shade height

- Bead chain can be ordered in custom lengths. Maximum bead chain length is 15 feet.

Color Lux® Roller Shades

CORDLESS ROLLER WITH DECO-BAR HARDWARE SYSTEM



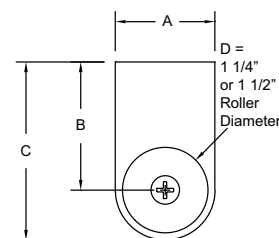
Shades Measuring 15½" to 72":

A = 1½"

B = 1⅝"

C = 2¼"

D = 1¼" Roller



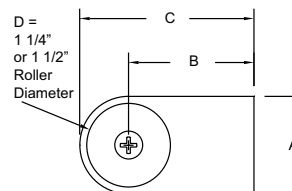
Shades Measuring 72" to Maximum Width:

A = 1¾"

B = 1¾"

C = 2¾"

D = 1½" Roller



Head Rail Consistency

Fabric will add an average of ⅛" to the diameter of the tube for every 10" of fabric rolled onto the tube. Contact Technical Services if additional services is needed.

Hardware Features

Roll Style:	Standard or reverse
Hardware Color:	White, Ivory, Black, Satin Nickel and Bronze (brackets are white or black)
Bracket Covers:	White, Ivory, Black, Satin Nickel and Bronze
Bottom Rail Style:	Fabric Wrapped or Exposed Bottom Rail
Bottom Rail Color:	Fabric Wrapped: White, vanilla, bronze, black or brushed aluminum Exposed: White, vanilla, bronze, black or brushed aluminum
Motorization	Cordless Roller with Deco-Bar cannot be motorized.
Head Rail Surcharge	See price grids for Cordless surcharge information.

Mounting Dimensions

Minimum depth for flush inside mount including installation brackets: 1¾"

Minimum inside mounting height: 1¼"

Minimum outside mounting height: 1"

Cordless Roller with Deco-Bar Finished Dimensions (+/- ⅛")

Inside Mount

Head Rail Measurement:	Ordered width minus ⅜" (measurement includes end brackets)
Fabric Width:	Ordered width minus 1⅜"

Inside Mount with Bracket Covers

Head Rail Measurement:	Ordered width minus 7/16"
Fabric Width:	Ordered width minus 1 1/16"

Outside Mount

Head Rail Measurement:	Ordered width plus ⅜" (measurement includes end brackets)
Fabric Width:	Ordered width minus 7/16"

Side Mount

Head Rail Measurement:	Ordered width minus 1 1/16" (measurement includes end brackets)
Fabric Width:	Ordered width minus 1 5/16"

Exact End to End Mount

Head Rail Measurement:	Ordered width (measurement includes end brackets)
Fabric Width:	Ordered width minus 5/8"

Color Lux® Roller Shades

CORDLESS OPTIONS

Cordless Roller Shades with Designer Cassette

Create a sleek look with the Designer Cassette Head Rail. Available in White, Ivory, Black, Satin Nickel and Bronze. See individual fabric specifications for minimum and maximum shade sizes. Cordless Roller Shades with Designer Cassette are available with the Smooth Face, Fabric Insert or Fabric Wrapped options.

See page 3 & 4 for the five Designer Cassette colors.

Cordless Roller DecoBar

This cord-free system operates like a spring roller shade with a gentle tug on the bottom rail to raise and lower the shade. See page 18 for mounting information and finished dimension information. Reverse roll is available for the DecoBar Cordless option



White Cordless Roller
Deco-Bar



Black Cordless Roller
Deco-Bar



Ivory Cordless Roller
Deco-Bar



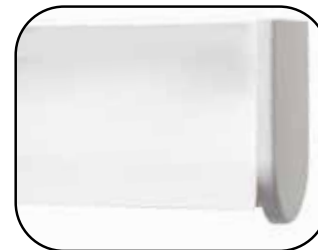
Bronze Cordless Roller
Deco-Bar



Satin Nickel Cordless Roller
Deco-Bar

Cordless Roller DecoBar Standard Light Block

All Color Lux Roller Decobar shades now feature a standard light block behind the rail for enhanced light control between the rail and the fabric roll. The light block is always white to the room side and is a no charge feature exclusively for Color Lux Cordless DecoBar roller shades.



Standard Light Block

Cordless Roller DecoBar Fabric Valance

All Color Lux Cordless DecoBar shades now feature a beautiful fabric valance option. This option is perfect to conceal the roll of the cordless decobar system but still maintain the 1¾" for shallow applications.

Dealer List Price = \$42.00

The fabric valance is available on Strata Linen Light Filtering, Linen Blackout, Duck Light Filtering and Duck Blackout fabrics and 5% Screen. The valance will always match the shade pattern and fabric.

All valances are 4.5" long to ensure that the roll and bottom rail is concealed when the shade is raised.



Fabric Valance Upgrade

Cordless Roller Deco-Bar Bracket Covers

The Cordless Roller Decobar now offers deco bar covers in White, Ivory, Black, Satin Nickel and Bronze that coordinates with the deco-bar color selected. Available for Inside Mount or Outside Mount applications. Brackets are White and Black only.



Bracket cover provides a clean finished appearance

Color Lux® Roller Shades

CORDLESS OPERATION

Cordless Tassels and Pulls

Add a decorative tassel or pull to help facilitate easy operation and keep the fabric on the bottom rail clean on all Cordless Shades. Tassels and pulls are placed in the middle of the bottom rail. They feature an approximately 3-inch long cord which coordinates with the tassel color.

Tassels and pulls are attached to the back of the bottom rail with a clear clip. This allows for in the field modifications if needed.

ALL Color Lux Roller Shade hardware is available with any Tassel or Pull.

Wood Ball Pulls

Add a decorative Wood Ball Pull to help facilitate easy operation and keep the fabric on the bottom rail clean on all Color Lux Roller Shades. Select from 4 colors: Waxed, Natural, Whitewash and Cocoa.

Add: \$26 Per Shade

Beehive Pulls

Add a durable and fashionable Beehive Pull to your shades for easy lifting and lowering. These are a great combination with solar shades and are available in White and Onyx. The Beehive pull is 2 5/8" long.

Add: \$62 Per Shade

Wood Tassels

Select from 5 colors: Milky White, Ebony, Walnut, Light Pine or Mahogany. A wood tassel is 1 5/16" long.

Add \$26 Per Shade

Jute Ball

Add a simple and natural accent to any cordless roller shade with the Jute Ball Pull. Available in a single Jute color.

Add: \$26 Per Shade

Droplet Pull

Wound with soft yarn in a elegant shape that fits comfortably into the palm of your hand. Available in Navy, Grey, Ivory and Clay.

The Pear pull is 2 1/8" long.

Add: \$62 Per Shade

Clear Handle for Cordless Roller Shades

A clear handle comes included with all cordless roller shade orders with an option to attach the handle during installation. This easy to attach and easy to remove clear handle is a great way to keep the rail or the fabric (for fabric wrapped option) clean and new after regular shade use. The width of the handle is 2 1/8" wide.



Optional Clear Handle



Cocoa

Whitewash

Waxed

Natural



Onyx

White



Grey

Navy

Clay

Ivory



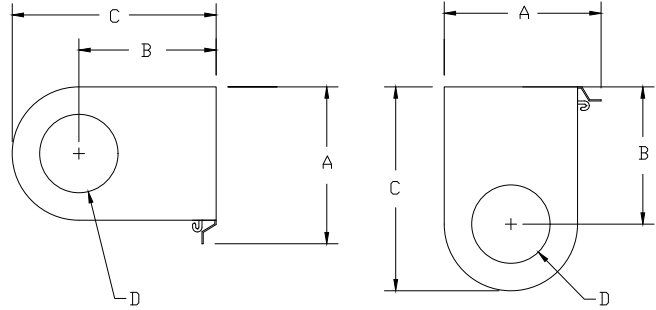
Color Lux® Roller Shades

FEATHERTOUCH™ CORDLESS WITH EZ MOUNT HARDWARE



Shade Bracket Dimensions:

- A = 2 1/2"
- B = 2 3/16"
- C = 3 1/4"
- D = 1 1/2" Diameter (37mm)



Head Rail Consistency

Fabric will add an average of 1/8" to the diameter of the tube for every 10" of fabric rolled onto the tube. Contact Technical Services if additional services is needed.

Hardware Features

Roll Style:	Standard roll only (Reverse roll is not available)
EZ Mount Hardware Color:	White, Black and Nickel
Bracket Covers:	White, Black and Nickel
Bottom Rail Style:	Fabric Wrapped or Exposed Bottom Rail
Bottom Rail Color:	Fabric Wrapped: White, vanilla, bronze, black or brushed aluminum Exposed: White, vanilla, bronze, black or brushed aluminum
Motorization	FeatherTouch Roller with EZ Mount hardware cannot be motorized.
Head Rail Surcharge	See price grids for Cordless surcharge in a Designer Cassette.

Mounting Dimensions

Minimum depth for flush inside mount including installation brackets: 2 1/2"
Minimum outside mounting height: 2 1/4" (1/8" below bracket and 5/8" minimum above bracket)

FeatherTouch Cordless Roller Finished Dimensions (+/- 1/8")

Inside Mount with EZ Mount Hardware		Inside Mount with Designer Cassette
Head Rail Measurement:	Ordered width minus 3/16" (includes end brackets & covers)	Ordered width minus 3/16" (includes end caps)
Fabric Width:	Ordered width minus 1 3/16"	Ordered width minus 1 1/4"
Outside Mount with EZ Mount Hardware		Outside Mount with Designer Cassette
Head Rail Measurement:	Ordered width plus 1/2" (includes end brackets and covers)	Ordered width plus 3/16" (includes end caps)
Fabric Width:	Ordered width minus 1/2"	Ordered width minus 7/8"
Exact End to End Mount with EZ Mount Hardware		Exact Mount with Designer Cassette
Head Rail Measurement:	Ordered width (includes end brackets and covers)	Ordered width (includes end caps)
Fabric Width:	Ordered width minus 1"	Ordered width minus 1 1/16"

FeatherTouch Size Specifications:

Fabric	Min Width	Size Specification Chart (Minimum Length = 15" for all fabrics; Maximum Width = 84")
Strata Light Filtering	21"	If width is 23" or less, then maximum length is 65". If width is over 23", then maximum length is 84".
Linen Light Filtering	20"	If width is 30" or less, then maximum length is 57". If width is over 30", then maximum length is 84".
Linen Blackout	17"	If width is 26" or less, then maximum length is 51". If width is over 26", then maximum length is 84".
Duck Light Filtering	19"	If width is 30" or less, then maximum length is 61". If width is over 30", then maximum length is 84".
Duck Blackout	17"	If width is 26" or less, then maximum length is 53". If width is over 26", then maximum length is 84".
5% Screen (PVC)	19"	If width is 26" or less, then maximum length is 49". If width is over 26", then maximum length is 84".

Color Lux® Roller Shades

FEATHERTOUCH™ CORDLESS GENERAL INFORMATION

FeatherTouch™ Cordless Features

Unlike other spring operated cordless shades, the FeatherTouch™ cordless roller system maintains a balance between the weight of the fabric and the strength of the spring. This provides:

- Fine adjustment and precision placement of the shade
- Alignment across multiple shades
- Safest option for kids
- Smooth operation
- All EZ Mount hardware shades feature a standard light block

List Price for FeatherTouch Cordless Upgrade Option: \$54.00

FeatherTouch™ Operation

To operate FeatherTouch Cordless shades, simply pull on the center of the bottom rail until you reach your desired position. To lift your shade, push the bottom rail upwards. FeatherTouch does not have an release mechanism that raises the shade. Operation is all with a touch of your finger.

FeatherTouch™ EZ Mount Hardware Finishes

FeatherTouch is available with the EZ Mount Hardware option or Designer Cassette.

EZ Mount hardware is available in three colors:

- White
- Black
- Designer Nickel (**\$79.00 List Surcharge**)

All FeatherTouch shades with EZ Mount hardware includes matching end cap covers for both inside mount and outside mount shades.



EZ Mount Hardware ensures the proper spacing of brackets for the best performance.



A light block is standard with every EZ Mount shade



White EZ Mount Hardware



Black EZ Mount Hardware



Designer Nickel EZ Mount Hardware



Designer Cassette (All Options)

FeatherTouch™ Cordless Options and Upgrades

Fabric Valance Option for Inside Mount Shades

FeatherTouch Cordless Shades feature an optional 4.5" fabric valance to conceal the EZ Mount Hardware. Valances are only available in matching shade fabric and color, and attach separately with the supplied brackets. A light block is attached to the back of the head rail for better light control. Fabric Valances are only available for Inside Mount shades ordered with the EZ Mount Hardware system. A surcharge of **\$42.00 List** will apply.



Fabric Valance Upgrade

Clear Handle

A clear handle is included at no charge for every FeatherTouch roller shade unit. To prevent damage to the roller shade fabric, handles are not installed at the factory. The width of the handle is 2 1/8" wide.

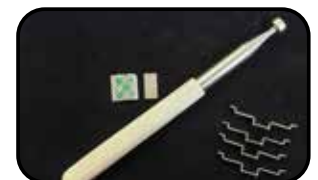
Telescoping: To prevent telescoping, the factory has indicated the center of your bottom rail for easy and accurate handle placement.



Clear Handle

Magnetic Wand Kit

The magnetic wand is optional for hard to reach shades and attaches to the magnetic plate included with your kit. Four handle plates are included with every kit. The pole is extendable up to 33". A surcharge of **\$58.00 List** will be applied. Other standard pole options are available.



Optional Magnetic Wand Kit

Additional Information

- FeatherTouch Cordless is NOT available as reverse roll.
- Decorative Pulls and Tassels are NOT available.
- A 6mm hex wrench is required if adjustment is necessary. Tension and upstops are set at the factory.

Color Lux® Roller Shades

DESIGNER CASSETTE WITH INSERT STRIP HARDWARE SYSTEM



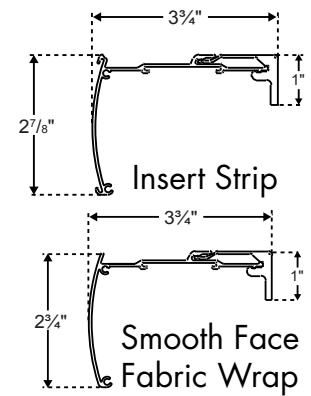
Insert Strip



Fabric Wrap



Smooth Face



Hardware Features	
Roll Style:	Standard only
Head Rail Color:	White, Ivory, Black, Satin Nickel and Bronze with matching fabric insert strip Skyline Clutch is available in White, Ivory, Black, Satin Nickel and Bronze
Bottom Rail Style:	Fabric Wrapped or Exposed Bottom Rail
Bottom Rail Color:	Fabric Wrapped: White, vanilla, bronze, black or brushed aluminum Exposed: White, vanilla, bronze, black or brushed aluminum
Bead Chain Color:	White, ivory, black, bronze or steel bead chain
Operation Options:	Cord Loop: Select bead chain color, bottom rail style and color Cordless: Select bottom rail style and color
Motorization	Designer Cassette can be motorized with Simplicity Bluetooth™ Rechargeable Motorization and PowerTouch Rechargeable.

Mounting Dimensions	
Minimum depth for flush inside mount including installation brackets: 3 3/4"	
Minimum depth required for shallow mounting: 1"	
Minimum depth for side mount: 1 1/8" • Maximum shade width for side mount: 48"	
Minimum height required for outside mounting: 1"	

Designer Cassette Finished Head Rail Measurements for Cord Loop, Cordless and Motorized Shades (+/- 1/8")

Inside Mount	
Head Rail Measurement:	Ordered width minus 3/16" (measurement includes end caps)
Outside Mount	
Head Rail Measurement:	Ordered width plus 3/16" (measurement includes end caps)
Side Mount	
Head Rail Measurement:	Ordered width minus 1 1/16" (measurement includes end caps)
Exact End to End Mount	
Head Rail Measurement:	Ordered width (measurement includes end caps)

Designer Cassette Finished Fabric Measurements (+/- 1/8")				
Mount	Simplicity Motorization	Cordless	Skyline Cord Loop	FeatherTouch™
Inside Mount:	Ordered width minus 1 1/16"	Ordered width minus 1"	Ordered width minus 1 1/4"	Ordered width minus 1 1/2"
Outside Mount:	Ordered width minus 1 1/16"	Ordered width minus 5/8"	Ordered width minus 7/8"	Ordered width minus 1 1/8"
Side Mount:	Ordered width minus 1 1/16"	Ordered width minus 1 1/2"	Ordered width minus 1 3/4"	N/A
Exact End to End Mount:	Ordered width minus 7/8"	Ordered width minus 1 3/16"	Ordered width minus 1 1/16"	Ordered width minus 1 5/16"

Color Lux® Roller Shades TWO-ON-ONE HEAD RAIL SYSTEM

Two on One Head Rail roller shades are two roller shades sharing the same head rail; each roller operates independently.

Operating Options

- Two on One Head Rail can be combined with cord loop, PowerTouch Motorization, Simplicity Motorization and Simplicity Rechargeable Motorization hardware options.
- Controls will always be placed to the far left and far right. (Controls are NOT available between two shades)

Fabric Options

- Two on One Head Rail roller shades are available in all Color Lux Roller Shade fabrics.
- See price grids for standard size limitations.



Head Rail Options

- Available with Designer Cassette or Standard Roller Shades.
- Two on One roller shades are ONLY available on 1½" tube.
- Available with Designer Cassette with Insert Strip and Smooth Face options.
- Fabric wrapping is NOT available on two on one Designer Cassette.
- Minimum single section is 12".
- Maximum width for a single section is 106".
- Total maximum width in Designer Cassette head rail is 140". Maximum shade sizes will vary by fabric
- Center gap between roller shades is ¾".

TWO ON ONE CASSETTE PRICING EXAMPLE:

36" x 60" Classic Duck	
Blackout Fabric	\$661 x 2 = \$1,322
Designer Cassette Fabric Wrap	\$114 x 2 = \$228
PowerTouch Motorization:	\$100 x 2 = \$200

Manufacturer's List Price = \$1,750

- Specify shade total width and the two individual section widths. **Please Note:** The two individual sections must add up to the total width.

Two-on-One No Head Rail Shades

The Two-on-One No Head Rail mounting option uses an intermediate bracket that reduces the light gap when two shades are placed side-by-side.

Cord Loop shades will always have the clutch on the outside of both shades to ensure proper tensioner mounting.

Standard Brackets are available in White, Black, Ivory and Bronze. Intermediate Brackets are available in White, Black and Ivory.

Bracket covers for the two outer shades are the same colors available for a Skyline Standard Roller Shade: White, Black, Ivory, Bronze and Satin Nickel.

Two-on-One No Head Rail Shades are available with Cord Loop, Simplicity Motorization, Simplicity Rechargeable Motorization and PowerTouch Rechargeable shades.

PowerTouch Rechargeable wands will always hang to the outside of each Two-on-One No Head Rail shade.

TWO ON ONE NO CASSETTE PRICING EXAMPLE:

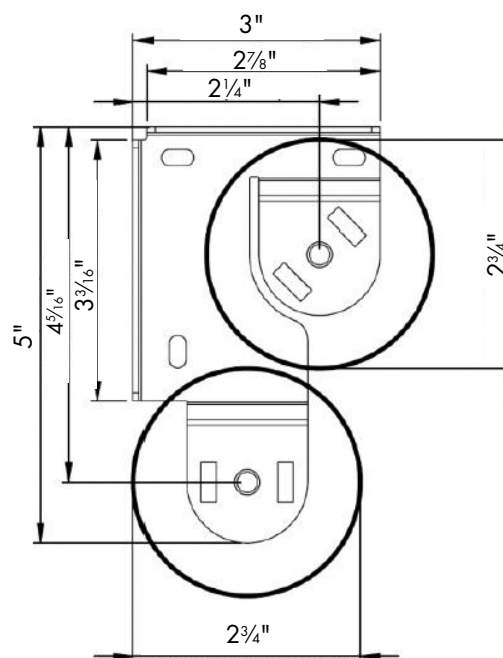
For Satin Nickel Two-on-One No Head Rail Shades with PowerTouch Rechargeable:

36 x 60 Linen Light Filtering Fabric:	\$661 x 2 = \$1322
Add Satin Nickel Skyline:	\$36 x 2 = \$72
PowerTouch Motorization:	\$100 x 2 = \$200

Manufacturer's List Price = \$1,594

Color Lux® Roller Shades

DUAL ROLLER WITH CORDLOOP & SIMPLICITY RECHARGEABLE MOTORIZATION



Hardware Features		
Roll Style:	Standard and reverse roll is required (reverse roll information is found on page 48)	
Bead Chain Color:	White, Ivory, Black, Satin Nickel and Bronze	
Clutch Color:	White, Ivory, Black, Satin Nickel and Bronze (Skyline Hardware Only)	
Bracket Cover Colors:	Bracket Covers are Not Available	
Bracket Colors:	White and Black	
Bottom Rail Style:	Fabric Wrapped or Exposed Bottom Rail	
Bottom Rail Color:	Fabric Wrapped: White, Black, Ivory, Brushed Aluminum and Bronze Exposed: White, Black, Ivory, Brushed Aluminum and Bronze	
Tensioner Colors:	White, Ivory, Black, Satin Nickel and Bronze	
Motorization	Dual Roller Shade Hardware can be motorized with Simplicity Bluetooth™ Rechargeable Motorization. PowerTouch Rechargeable is not available.	
Mounting Dimensions		
Minimum depth for flush inside mount including installation brackets: 3"		
Minimum depth required for side mounting: 1"		
Standard Roller Finished Dimensions	Standard Tube Cord Loop (1" & 1½" diameter)	Standard Tube Motorized (1½" diameter)
Inside Mount (+/- 1/8")		
Bracket to Bracket:	Ordered width	Ordered width
End to End Roller Width:	Ordered width minus 1"	Ordered width minus 1 1/8"
Fabric Width:	Ordered width minus 1 1/16"	Ordered width minus 1 3/16"
Bottom Rail Width:	Ordered width minus 1 1/16"	Ordered width minus 1 3/16"
Outside Mount and Inside Mount with Bracket Covers (+/- 1/8")		
End Cap Cover to End Cap Cover:	Ordered width	Ordered width
Bracket to Bracket:	Ordered width minus 1/8"	Ordered width minus 1/8"
End to End Roller Width:	Ordered width minus 1 1/8"	Ordered width minus 1 1/4"
Fabric Width:	Ordered width minus 1 3/16"	Ordered width minus 1 5/16"
Bottom Rail Width:	Ordered width minus 1 3/16"	Ordered width minus 1 5/16"

Color Lux® Roller Shades

DUAL ROLLER HARDWARE SYSTEM

Dual Roller Shades are available with Skyline Cord Loop and Simplicity Rechargeable Motorization. They are the perfect way to combine both light filtering and blackout fabrics into a single shade for the ultimate light control. Any fabric or screen in the Color Lux Roller shade program can be mixed and matched to create a versatile window for any time of day.

The front roll of fabric is always a reverse roll. The back roll of fabric is always a standard roll. Clutches are always on opposite sides of the shade to ensure a location for tensioner mounting.

Dual Roller Shades are not available with Designer Cassette, cordless operation or PowerTouch Rechargeable motorization. Bracket covers are available in white or black for outside mount shades only. Brackets are available in black and white.

Candeling will occur between the upper and lower fabric rolls if a Blackout fabric is selected as the back roll. This allows light to come through. Blackout fabric can be selected for the front roll to prevent this.

Simplicity Bluetooth Motorization with Quietude™ Technology is available with Dual Roller Shades to ensure easy installation without the need to mount two battery wands.

See price grids for Dual Roller Shade Specifications. Shade minimums and maximums are identical to single shade systems. Not available with 2" tube.



Candeling when Blackout Fabric is selected as the back roll.



Tensioners are mounted on opposite side of a Dual Roller Shade



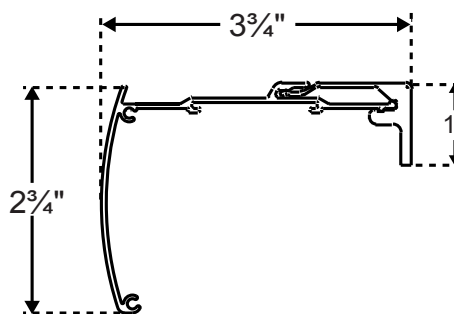
Distance between rollers when front shade is raised all the way

DUAL ROLLER SHADE PRICING EXAMPLE:

For Satin Nickel Dual Roller Shades:	
Front Shade 36 x 60 Linen Light Filtering:	\$595
Back Shade 36 x 60 Linen Blackout:	\$661
Satin Nickel Skyline Clutch Surcharge: $\$36 \times 2 =$	\$72
Add Dual Roller Shade Surcharge:	\$36
Manufacturer's List Price =	\$1,364

Color Lux® Roller Shades

DESIGNER CASSETTE WITH RETRACTABLE CORD HARDWARE SYSTEM _____

**Hardware Features**

Roll Style:	Standard only
Head Rail Color:	White, Ivory, Black, Satin Nickel and Bronze Retractable Cord Clutch is available in White and Black only
Bottom Rail Style:	Fabric Wrapped or Exposed Bottom Rail
Bottom Rail Color:	Fabric Wrapped: White, vanilla, bronze, black or brushed aluminum Exposed: White, vanilla, bronze, black or brushed aluminum
Cord Color:	White or Black Cord and Tassel to coordinate with clutch
Cassette Surcharge	See price grids for surcharge information.

Mounting Dimensions

Minimum depth for flush inside mount including installation brackets: 3 3/4"

Minimum depth required for shallow mounting: 1"

Minimum depth for side mount: 1 1/8" • Maximum shade width for side mount: 48"

Minimum height required for outside mounting: 1"

Designer Cassette Finished Head Rail Measurements for Retractable Cord (+/- 1/8")**Inside Mount**

Head Rail Measurement: Ordered width minus 3/16" (measurement includes end caps)

Outside Mount

Head Rail Measurement: Ordered width plus 3/16" (measurement includes end caps)

Side Mount

Head Rail Measurement: Ordered width minus 1 1/16" (measurement includes end caps)

Exact End to End Mount

Head Rail Measurement: Ordered width (measurement includes end caps)

Designer Cassette Finished Fabric Measurements (+/- 1/8")

Mount	Retractable Cord
Inside Mount:	Ordered width minus 1 7/16"
Outside Mount:	Ordered width minus 1 1/16"
Side Mount:	Ordered width minus 1 5/16"
Exact End to End Mount:	Ordered width minus 1 1/4"

Color Lux® Roller Shades

DESIGNER CASSETTE WITH RETRACTABLE CORD HARDWARE SYSTEM _____

The Retractable Cord system for Color Lux Roller Shades is a perfect option for hard to reach shades when a continuous loop is not desired. The retractable cord system features smooth and easy to use operation. The Designer Cassette option is required for all Retractable Cord shades.

Colors

Clutch: is available in White or Black. Can be coordinated with any Designer Cassette option.

Cords and Tassels: White or Black

Operation

The clutch can be ordered to the right or left of the shade so the pull cord is easy to reach.

To raise, simply pull the cord straight down until it reaches full extension and then allow the cord to retract completely into the head rail. Each stroke partially raises the shade. The shade can be stopped at any point while raising.

To lower, simply pull the cord out towards you until it reaches full extension and then allow the cord to retract completely into the head rail. Each stroke partially lowers the shade. The shade can be stopped at any point while lowering.

Light Gap

Please note that there is a 3/4" light gap on the operation side of all roller shades.

Minimum ordered width for Retractable Cord shades is 12". See fabric specification pages for maximum sizes.

Cord Length

All retractable cord shades have a default cord length that is 40% of the total length. Custom options are available when ordering.



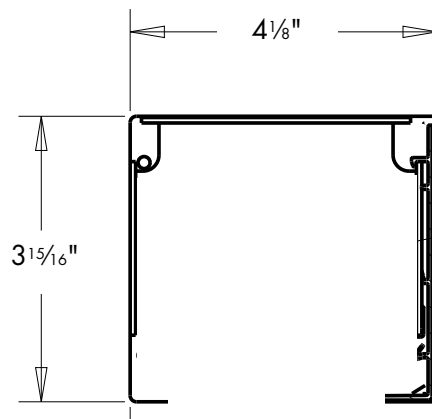
3/4" light gap on operation side. Clutches are available in white and black with tassels and cords in white or black

RETRACTABLE CORD PRICING EXAMPLE:

36 x 60 Linen Light Filtering Fabric:	\$595
Add Retractable Cord Surcharge:	\$54
Add Designer Cassette Surcharge:	\$114
Manufacturer's List Price =	\$763

Color Lux® Roller Shades

4" SKYLINE FASCIA WITH CORD LOOP AND SIMPLICITY MOTORIZATION _____

**Hardware Features**

Fascia Colors:	White, Ivory, Black, Satin Nickel and Bronze
Roll Style:	Standard only
Bead Cord Style and Color:	White, Ivory, Black, Satin Nickel and Bronze
Skyline Clutch Colors:	White, Ivory, Black, Satin Nickel and Bronze
Bottom Rail Style:	Fabric Wrapped or Exposed Bottom Rail
Bottom Rail Color:	Fabric Wrapped: White, Black, Vanilla, Brushed Aluminum and Bronze Exposed: White, Black, Vanilla, Brushed Aluminum and Bronze
Tensioner Color:	White, Ivory, Black, Satin Nickel and Bronze
Motorization	4" Skyline Fascia can be motorized with Simplicity Bluetooth™ Rechargeable Motorization, Heavy Duty Bluetooth™ Motorization or PowerTouch™ Rechargeable. See grids for pricing and pages 33 - 42 for motorization details.

Mounting Dimensions

Minimum depth for flush inside mount including installation brackets: 4 1/8"

Minimum surface height required for outside mount: 4"

4" Inch Skyline Fascia can be installed as an inside mount with bracket covers.

Standard Roller Finished Dimensions (+/- 1/8")	Standard Tube (1" and 1 1/2" diameter)	Oversized Tube (2" diameter)
Inside Mount		
Bracket to Bracket Measurement:	Ordered width	Ordered width
End to End Roller Width:	Ordered width minus 1"	Ordered width minus 1 1/16"
Fabric Width:	Ordered width minus 1 1/16"	Ordered width minus 1 1/8"
Bottom Rail Width:	Ordered width minus 1 1/16"	Ordered width minus 1 1/8"
Outside Mount and Exact Mount		
End Cap Cover to End Cap Cover:	Ordered width	Ordered width
Bracket to Bracket Measurement:	Ordered width minus 1/8"	Ordered width minus 1/8"
End to End Roller Width:	Ordered width minus 1 1/8"	Ordered width minus 1 3/16"
Fabric Width:	Ordered width minus 1 3/16"	Ordered width minus 1 1/4"
Bottom Rail Width:	Ordered width minus 1 3/16"	Ordered width minus 1 1/4"

Color Lux® Roller Shades

4" SKYLINE FASCIA WITH CORD LOOP AND SIMPLICITY MOTORIZATION _____



Motorized 4" Fascia in White



Motorized 4" Fascia Ivory



Motorized 4" Fascia in Black



Motorized 4" Fascia in Bronze



Motorized 4" Fascia in Satin Nickel

General Information

The 4" Skyline Fascia is a roller only shade with a 4" Skyline Fascia upgrade. The fascia clips over the standard roller shade during installation.

Inside Mount - Bracket covers are not available for inside mount shades due to the snap on installation method of the covers.

Outside Mount - Bracket covers are standard with all outside mount shades.

Operation Options

Skyline Clutch

PowerTouch Rechargeable Motorization

Simplicity Bluetooth™ Rechargeable Motorization

Low Voltage Hardwired Motorization

Simplicity Bluetooth™ Heavy Duty Motorization

Color Lux® Roller Shades

FRICITION FIT MOUNTING SYSTEM | DESIGNER CASSETTE | SKYLINE ROLLER | CORDLESS DECO BAR

FRICITION FIT MOUNTING SYSTEM

The Friction Fit Mounting System is the perfect solution for hard to drill materials and where drilling is not desired or allowed. There is NO BRACKET INSTALLATION REQUIRED.

This pressure mounted system utilizes an aluminum rail designed with a high tension spring that is pre-fabricated with your ordered shade. INSTALLATION BRACKETS for your ordered shade ARE PRE-ATTACHED AT THE FACTORY for easy installation on site.



White Friction Fit Rail with Standard Roller

To install, simply insert the rail within the window opening and secure the lever. This increases the pressure to the ends of the rail, allowing for a snug fit in the window opening.

Manufacturer's List Price: \$94

Friction Fit is ideal for many applications, such as:

- Brick
- Concrete
- Cinderblock
- Steel*
- Aluminum*
- Tile*
- Popcorn and other textured finishes
- Wood

* Smooth surfaces will require use of included double-sided adhesive.

LEVER LOCATION

The lever will always be on the clutch side for cordloop shades. For cordless and motorized, it will always be on the right.

Deductions for Cordless and Designer Cassette shades will be unchanged.

See below for Skyline Standard Roller Shades deductions. Skyline standard roller is not available with end caps.

Minimum Mounting Depth is 2 1/8"

Maximum width for all mounting systems is 84".

Standard Roller Finished Dimensions (+/- 1/8")	Standard Tube Cord Loop (1" & 1 1/2" tube)	Standard Tube Motorized (1 1/2" tube)
Inside Mount		
Bracket to Bracket Measurement:	Ordered width minus 5/16"	Ordered width minus 5/16"
End to End Roller Width:	Ordered width minus 1 5/16"	Ordered width minus 1 7/16"
Fabric Width:	Ordered width minus 1 3/8"	Ordered width minus 1 1/2"
Bottom Rail Width:	Ordered width minus 1 3/8"	Ordered width minus 1 1/2"

COLOR OPTIONS

Friction Fit Mounting System is available in white and black. White, Ivory and Satin Nickel Skyline clutches will have a White Rail and Brackets. Black and Bronze clutches will have a Black Rail and Brackets.



White Rail



Black Rail

OPERATION TYPES

Inside Mount Only

- Skyline Standard Roller Shades (R-series not available)
- FeatherTouch Cordless
- Cordless Deco-Bar
- Motorization (Rechargeable, Non-Rechargeable, PowerTouch and Low Voltage)

Designer Cassette is available with cordless and motorized shades. Designer Cassette with cordloop is NOT available.

The 4 1/2" fabric valance is available as an option for concealing both the roll and rail.



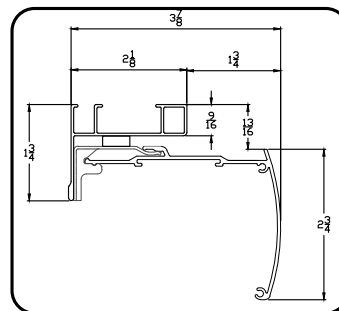
Fabric Valance Upgrade

Fabric Valance

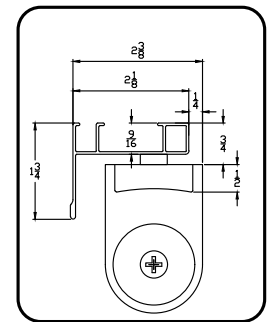
Manufacturer's List Price = \$42

See fabric specifications for Friction Fit availability.

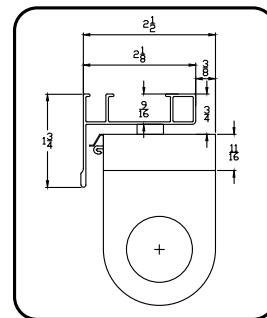
RAIL PROJECTIONS WITH OPERATING SYSTEMS



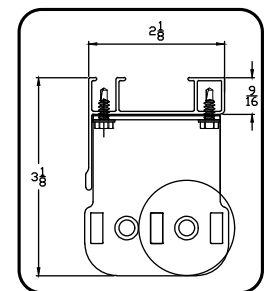
Designer Cassette End View



Cordless Deco-Bar End View



FeatherTouch EZ Mount End View



Skyline Standard Roller End View

Color Lux® Roller Shades

POWERTOUCH RECHARGEABLE FOR NO HEAD RAIL & DESIGNER CASSETTE _____

Color Lux Roller Shades can be fabricated with the PowerTouch™ Rechargeable option.

The PowerTouch™ Rechargeable provides an easy, cord free motorized operation for the budget savvy homeowner. PowerTouch™ Rechargeable uses Simplicity motors and components.



- PowerTouch™ Rechargeable is available for Roller Only and Designer Cassette
- The Roller Only option uses Skyline Hardware brackets and bracket covers available in White, Ivory, Black, Satin Nickel and Bronze. Wand and Pendant are always White or Black.

Color Lux Roller Shade PowerTouch™ Rechargeable Upgrade Surcharges

All standard discounts apply to PowerTouch™ Shades.

- | | |
|--|----------|
| • PowerTouch™ Rechargeable Pendant and Wand: | \$100.00 |
| • Charger for PowerTouch™ Rechargeable (required): | \$30.00 |

PowerTouch™ Rechargeable Roller Shade Specifications

See specific fabric price grids for minimum and maximum shade widths and lengths. Shade sizes in grey shaded sections are NOT available with the PowerTouch™ Rechargeable option.

PowerTouch™ Rechargeable Shades Operation

Press the up or down button on the pendant to raise or lower the shading to your desired position.

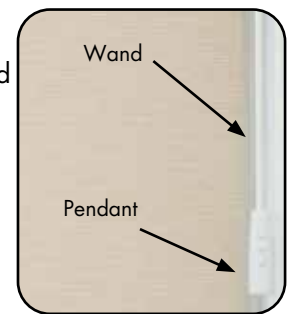
Programming the upper and lower limits is completed at the factory. These can be easily adjusted in the field if desired.

Programming the favorites position is completed after shade installation.

Please refer to the installation instructions at comfortex.com/comfortex-dealers.

PowerTouch™ Rechargeable Appearance

- The PowerTouch™ Rechargeable wand and pendant is attached to the head rail and requires no additional mounting.
- The No Head Rail PowerTouch™ Rechargeable wand must be attached to the motor before mounting.
- The wand and pendant hangs down the front of the shades
- The top and bottom buttons lift and lower the shade to the upper and lower limits. The center button is the favorites and stop button. from the head rail. The wand does not touch the fabric.
- Pendant is 2½" long.



PowerTouch™ Rechargeable Color Options with Designer Cassette and No Head Rail Roller



White



Black

- Shades with Black or Oil Rubbed Bronze head rail will be built with black wand and pendants standard.
- Shades with White hardware will be built with white wand and pendants standard.
- Shades with Fabric Wrapped Head Rail will be built according to the head rail color selected.
- Shades booked as a no head rail roller will have a prompt to select wand color.

Wand and Pendant Location with Designer Cassette and No Head Rail Roller

The standard location for the wand and pendant is on the right. Please specify when ordering.

Color Lux® Roller Shades

POWERTOUCH RECHARGEABLE FOR NO HEAD RAIL & DESIGNER CASSETTE _____

PowerTouch™ Rechargeable Wand Length with Designer Cassette and No Head Rail Roller

Shade Length	Standard Wand Length
Shades up to 30"	1' (12")
30" to 52"	2' (24")
52" to 78"	3' (36")
78" to 100"	4' (48")
100" to 120"	5' (60")

- Custom length wands are not available with PowerTouch™ Rechargeable. Standard wand lengths can be changed at no cost.

Mounting Requirements for PowerTouch™ Rechargeable Shades with Designer Cassette

- No special installation hardware or wiring requirements are needed to install PowerTouch™ Rechargeable Roller Shades with Designer Cassette Head Rail.
- A battery wand is not required with PowerTouch™ Rechargeable shades.

Mounting Requirements for PowerTouch™ Rechargeable Shades with No Head Rail Roller

- On No Head Rail roller shades, the wand must be attached to the motor with two screws (included) before mounting the shade.
- A battery wand is not required with PowerTouch™ Rechargeable shades.

PowerTouch™ Rechargeable Shades Do Not Have a Separate Battery Wand

There is no battery wand with the PowerTouch™ Rechargeable shades. The battery pack is integrated inside the roller tube to make mounting easier and more convenient.

The battery is recharged via the recharging port on the PowerTouch Rechargeable™ Wand.



Recharging Port

Minimum Width Requirements for PowerTouch™ Rechargeable Shades with and without Designer Cassette

- Inside Mount = 18³/₈"
- Exact Mount = 18³/₁₆"
- Outside Mount = 18"

Battery Charger

8.4 Volt charger requires a standard power outlet to recharge the battery integrated within the motor. Must specify charger when ordering a PowerTouch Rechargeable shade. The charger plugs into the charger port. The charger is black and comes with a 156" (13') wire.



PowerTouch™ Rechargeable Roller Shades Warranty

Please see the Policy PDF for complete Comfortex warranty information.

Color Lux® Roller Shades

SIMPLICITY BLUETOOTH™ RECHARGEABLE MOTORIZATION

NOW AVAILABLE WITH QUIETUDE™ TECHNOLOGY



PRODUCT	Simplicity PowerTouch	Simplicity Remote	NEO Smart Controller	Simplicity w/ Bluetooth	Rechargeable SOMFY	12v Low Volt Hardwire
Roller	•		•	•		•

Benefits of Simplicity BlueTooth™ Motorization: Featuring the Free Color Lux Mobile App

- New “state of the art” 7.4v rechargeable motorization operates with both BlueTooth and Radio Frequency control technology.
- Download the new Color Lux Mobile Bluetooth App FREE on the Apple App Store for iPhone or the Google Play Store for Android.
- Optional Simplicity radio frequency remote control with choice of 6 channel with timer, or 14 channel remote.
- Optional Simplicity Smart Controller (NEO) for remote operation of shades which integrates with Amazon Alexa and Google Assistant devices.

Features of the Color Lux Mobile Bluetooth App:

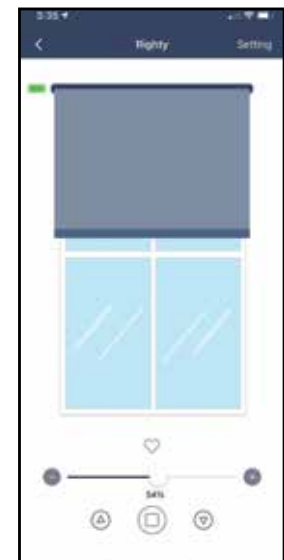
- Controls your shade directly from your phone with Bluetooth control.
- Has a shade position display indicator. See screen to the right.
- Has a battery charge level indicator.
- Controls the shade using easy swipe or control buttons.
- Controls up to 5 shades simultaneously and no limit to the number of shades connected to a single account.
- Has timer and scene setting options.

Please Note: There are many factors affecting Bluetooth range

- Physical obstacles in the transmission path
- The antennas should be exposed for best performance
- Bluetooth 4.2 supports 10 meters indoor range (~33 feet).



Color Lux Mobile App Main Screen



Color Lux Mobile App Control Screen

COLOR LUX SIMPLICITY BLUETOOTH MOTORS WITH QUIETUDE™ TECHNOLOGY

Color Lux Simplicity Bluetooth motors now feature our exclusive Quietude™ technology. Our Quietude™ technology significantly reduces motor running noise, and delivers both performance and a user-friendly customer experience.

Color lux Simplicity Bluetooth motors, with Radio-Frequency, Bluetooth and SmartHub control options, are now one of the quietest and most completely versatile offerings in the industry.

Quietude™ technology enables shades to operate at the same speed, so all shades perform consistently. The operating speeds can also be adjusted using our Color Lux Mobile app.

Color Lux Simplicity Bluetooth motors now also communicate daily with other Quietude™ motors in close proximity in order to synchronize schedules, as set in the Color Lux Mobile app.

Color Lux® Roller Shades SIMPLICITY BLUETOOTH™ RECHARGEABLE MOTORIZATION NOW AVAILABLE WITH QUIETUDE™ TECHNOLOGY

The Simplicity Bluetooth™ Rechargeable Motorization program features an integrated rechargeable lithium ion battery in the motor casing and is fully concealed by the roller tube.

Simplicity Bluetooth™ Rechargeable Motorization with Quietude™ Technology

Upgrades and Surcharges

Motor

- Radio Frequency & Bluetooth™ Motor: \$300.00
Includes integrated rechargeable battery

Hand Held Remote

- 14 Channel Remote \$50.00
- App Free

Simplicity Rechargeable Motor Battery Charger

- Charger for rechargeable motors (required): \$30.00

Simplicity Smart Controller

- Smart Controller Unit \$280.00

Simplicity Solar Panel

- Solar Panel for Rechargeable Remote \$120.00

All standard discounts apply.

Simplicity Bluetooth™ Rechargeable Motorization

All Roller Shade Fabrics

Minimum Width with No Head rail: 20½"
Minimum Width in Designer Cassette: 19½"
Maximum Width: See roller price grids for motorized shades specifications.

Simplicity Motors Appearance

The Simplicity Rechargeable motor and batteries are concealed within the roller tube.

Mounting Requirements

Standard Skyline Roller Hardware

No special installation hardware or wiring requirements are needed.

Dual Roller Shades

No special installation hardware or wiring requirements are needed.

Designer Cassette Hardware

No special installation hardware or wiring requirements are needed.

4" Skyline Fascia Hardware

No special installation hardware or wiring requirements are needed.

Simplicity Rechargeable Motor Batteries

The battery for the integrated rechargeable simplicity motor system is integrated within the motor casing and is fully concealed by the roller tube.

Rechargeable battery comes fully charged from the factory.

Battery Wand Mounting is Not Required

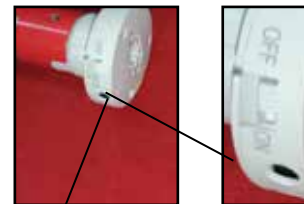
No external battery wand is required to operate a Color Lux Roller Shade with Simplicity Rechargeable Motorization.

Simplicity Rechargeable Motor Battery Life

Rechargeable battery is built into the motor.

The average battery charge will last 6-12 months based on an average sized shade raised and lowered once per day. The life of the battery charge will vary based on the type of window covering selected, the size and weight of the window covering and the number of times the shade is operated on a daily basis.

The battery can be recharged up to 500 times. It takes approximately 5 hours to recharge the motor when fully depleted.



Charging Port

Close-Up

Battery Charger for Simplicity Rechargeable Motors

An 8.4 Volt charger requires a standard power outlet to recharge the battery. The charger must be specified when ordering a Rechargeable Simplicity Motorized shade. The charger plugs into the charging port of the motor.



The charger is black and comes with a 156" (13') wire. The dimensions are 1" wide x 2½" length x 1¾" deep.

Important Information about Simplicity Rechargeable Motor Shade Operation and Installation

- Simplicity Motorized Shadings installed into windows with metal casings may have a reduced radio frequency range, or may not operate at all, depending on the application.
- Do not let the antenna on the motor touch any metal objects. This may interfere with signals from the remote control.
- Be mindful of when your shade starts to slow down during operation. It is a good indicator the shade needs to be recharged. The shade will also beep when the remote button is pressed if the battery is low.

Color Lux® Roller Shades SIMPLICITY BLUETOOTH™ RECHARGEABLE MOTORIZATION NOW AVAILABLE WITH QUIETUDE™ TECHNOLOGY

Heavy Duty Simplicity Bluetooth™ Rechargeable Motorization for 2" and 2½" tubes

Heavy Duty Motors are now available for all roller shades that require a 2" or 2½" tube. See shaded sections in each fabric grid for sizes. Motors are available with the no head rail option or with 4" Skyline Fascia. Brackets are available in White, Black and Silver. Even if not required, Heavy Duty Motorization can be ordered for smaller shades to maintain consistent appearance.

Heavy Duty Motorization is NOT available with Designer Cassette or Dual Roller Shades.

Minimum Width of Heavy Duty Motorized Shades is 25".

Battery is integrated within the motor unit.

The 12 Volt charger must be used to recharge heavy duty motors. **Solar Panel Option is NOT available for Heavy Duty Motorization.**



Motor Mount



Heavy Duty Motor available with Skyline 2" bracket (also available with 4" Skyline Fascia)

Simplicity Bluetooth™ Heavy Duty Motorization with Quietude™ Technology

- Heavy Duty Simplicity Bluetooth™ Rechargeable Motorization: **\$420.00**
- 12V Charger for Heavy Duty Simplicity Rechargeable Motorization (required): **\$45.00**

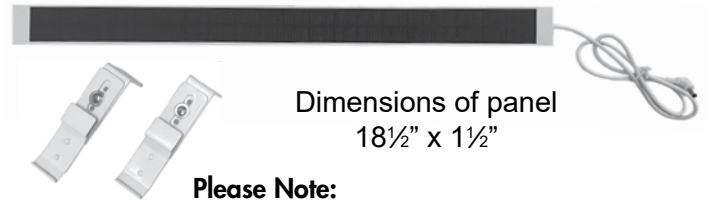
All standard discounts apply.

Solar Panel Recharge Option

Plugs in to any Simplicity Rechargeable Remote control shade (does not work with PowerTouch)

Provides constant trickle charge to 7.4v Li-Ion Rechargeable battery packs. Will prolong the life of the charge of the 7.4v rechargeable battery packs, and in some applications will maintain charge indefinitely.

Life of charge is subject to application variables such as, size and weight of shade, frequency of use, amount of direct sunlight exposure, etc.



Dimensions of panel
18½" x 1½"

Please Note:

LED solar panel cord length is 24". Make sure to order 48" extension cord if needed.

Solar Recharge Optimum Application

- Full direct sunlight (minimum 2 hours per day) to maintain full charge. Based on one operation cycle per day (one open, one close).
- Excessive duration of cloudy weather will impact the rate of charge.

Solar Panel LED Lights

Red Light: Indicates optimum direct sun exposure

Green Light: Indicates sunlight is enough to charge battery

Blue Light: Indicates battery is charging. Blue light is off when not charging (including when the battery is full)

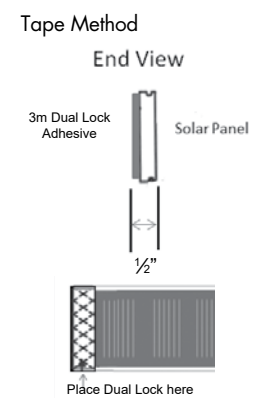
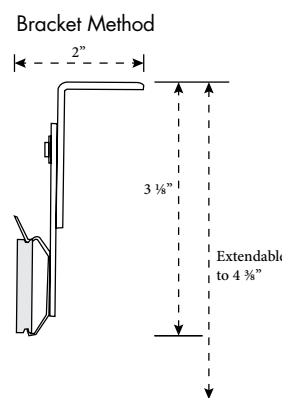
No Lights: Night or very low sun



Red Light Green Light Blue Light No Light

Solar Panel Mounting

Bottom portion of the bracket may be lowered if needed for more sun exposure. Bracket can be mounted behind or next to shade mounting bracket.



Tape goes on the face (black side) of the panel.

If the solar panel is mounted directly behind the headrail at the top of the window, you need to make sure that the solar panel does not interfere with the shade mounting brackets. The solar panel can go between brackets spaced apart, or behind brackets if the depth of the window casing allows.

Color Lux® Roller Shades

SIMPLICITY BLUETOOTH™ RECHARGEABLE MOTORIZATION

NOW AVAILABLE WITH QUIETUDE™ TECHNOLOGY

EZ Charge Extension Wand Option

EZ Charge Extension Wand is the newest innovation in rechargeable motorization. Easily charge your hard to reach Simplicity Rechargeable Shades with the EZ Charge Extension Wand. The wand extends up to 31" in length.

Simple to use! Place the magnetized wand tip on the receiving port to attach. Then plug the charger into the base of the wand. It is that simple!

- EZ Charge Extension Wand can be easily concealed by a valance or drapery panel.
- Great for out of reach windows

EZ Charge Wall Mount Receiver

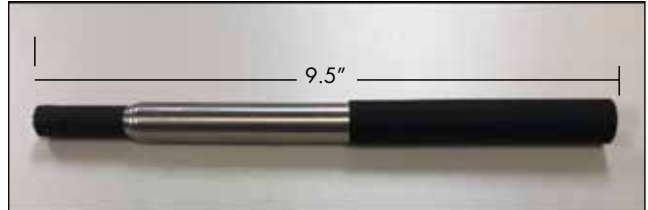
- The EZ Charge Wall Mount Receiver includes screws and anchors. These can be used for wood or drywall mounting.
- Extension cable plugs into charging port of Simplicity Rechargeable shades.



EZ Charge Wall Mount Receiver Kit | CKIT078
 One kit per Simplicity Motorized shade is needed.

EZ Charge Wand

- Wand is 9½" and extends to 31"
 Magnetized tip makes connection quick and easy.
- Once wand is in place plug the 8.4v charger into the bottom of the extension wand for charging.



EZ Charge Wand | CKIT077
 Order with the EZ Charge Wall Mount Receiver Kit



EZ Charge Receiving Port



Port/Wand Connection



Battery Charger



Wand Base

Battery Charger - SOLD SEPARATELY

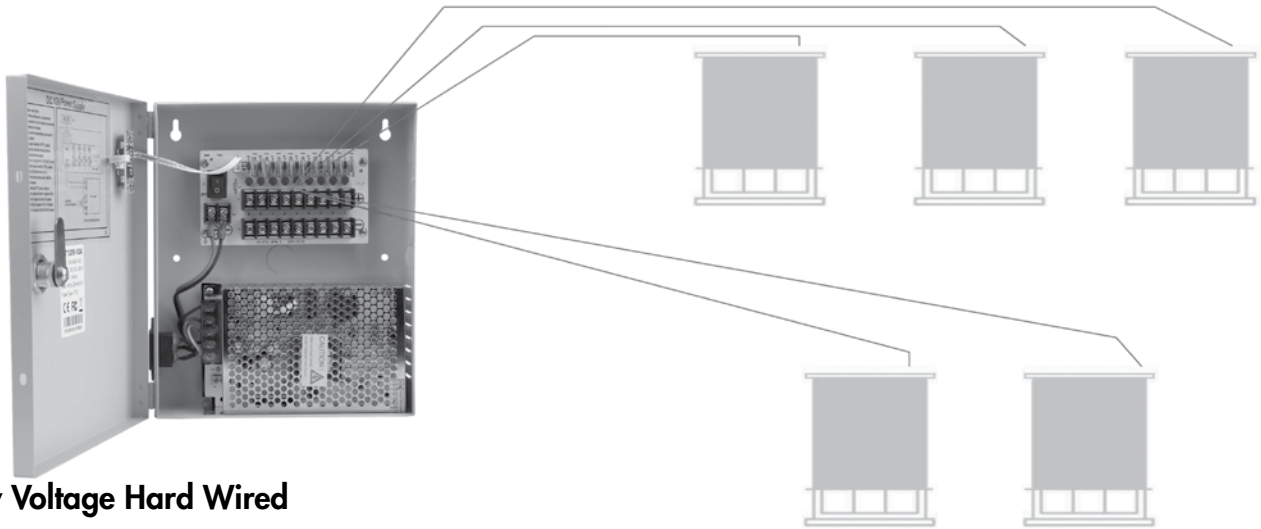
You must specify charger when ordering a Simplicity Rechargeable Motorized Shade. The charger plugs into the wand base. The 8.4 Volt charger requires a standard power outlet to recharge the motor. The charger is black and comes with a 156" wire. The dimensions are 1" wide x 2½" length x 1¼" deep.

EZ Charge Extension Wand Option
 All standard discounts apply.

- EZ Charge Wall Mount Receiver: \$18.00 List Price
- EZ Charge Wand: \$32.00 List Price

Color Lux® Roller Shades

12V SIMPLICITY LOW VOLTAGE HARDWIRING SYSTEM



12V Low Voltage Hard Wired

Low Voltage hardwire powered motors are available for all Roller Shades up to a 1.5" tube. **Heavy Duty Motors are NOT available with Low Voltage Hard Wired Motorization.** The system offers a maintenance-free power option for Simplicity Motorized Shades. The Simplicity power transformer mounts in a safe dry location (such as your basement), out of sight, and provides power for up to nine individual shades per box.

Simplicity Motorized Upgrade and Surcharges

Standard discounts apply to motorized lift systems pricing.

Wall Mount Transformer

- Wall Mount Transformer \$232.00

2 Conductor wires should be pre-installed by a licensed contractor according to local building codes, to connect power from the transformer to the shades.

Simply use the wire adapters provided to connect the power wire to the Simplicity motor power input on the back of the shade, then connect the pre-run wires to the (+ / -) terminal block in the transformer box, and flip on the power switch.

- Product Dimension: 7.875" wide, 9.4" Tall, 2.45" deep
- Converts incoming 120V AC to outgoing 12V for up to 9 shades.

• Product Description:

- 12v10a 9ch
- Input Voltage Range : AC90V-264V
- Input Frequency Range : 50Hz-60Hz
- Output Voltage Range : DC12V+/-5%
- Output Current : 10 Ampere
- Output Power : 120 Watt
- Output Ripple&Noise : ≤42MV
- Output Efficiency : ≥83%
- Output Fuse Type : PTC
- Output Fuse Rating : 2A
- Environment Operating Amb.Temp : -30 ~45
20%~90%RH
- Environment Storage Temp : -40 ~85 10%~95%RH



2 Conductor Wires running to basement 12V Power Transformer



Wires connecting to charging port on Simplicity shade



12V Wall Mount 9 Channel Power Transformer

- Transformer plugs into standard household outlet.
- Powercord is 56" in length.

Color Lux® Roller Shades

12V SIMPLICITY MOTORIZATION



Color Lux Roller Shades can be motorized with the non-rechargeable Simplicity Motorization system. The Non-Rechargeable motor can be powered by either a single 12 Volt battery wand or a 12V DC Power Supply Unit. Simplicity motors are compact and use a radio controlled remote to raise or lower the shades.

Head Rail Options with Simplicity Motors:

- R-Series
- Skyline Standard Roller
- Designer Cassette
- 3" Fascia
- 4" Skyline Fascia

Simplicity Motorized Upgrade and Surcharges

Motor	
• Radio Frequency Motor with battery wand:	\$300.00
Hand Held Remote	
• 14 Channel Remote	\$50.00
DC Power Supply - Replaces Battery Wand	
• Wall mount transformer DC12V/2A	\$30.00
Battery Wand Extension Wires	
• 48" Extension Wire	\$10.00
All standard discounts apply.	

Standard Simplicity Motor Battery Life and Replacement

Eight alkaline batteries are included with the wand. The battery life will vary based on the type of window covering selected, the size and weight of the window covering and the number of times you operate the shade on a daily basis.

Comfortex will warranty batteries for up to 3 months from date of purchase. Batteries are not covered by the limited lifetime warranty.

12V Simplicity Motorization and Hardwired Minimum Shade Sizes

Minimum Width with No Head rail: 17.5"
 Minimum Width in Designer Cassette: 17.5"
 Maximum Width: See roller price grids for motorized shades specifications.

Standard Roller Hardware Appearance Shade Features

- **Bottom rail style:** Fabric Wrapped or Exposed bottom rail
- **Bottom rail color:**
Fabric Wrapped: White, vanilla, bronze, black or brushed aluminum.
Exposed: White, vanilla, bronze, black or brushed aluminum.

The motor lead is 6" long and the battery wire is 10" long.



White and Black Adapters for Skyline Motorization with no head rail

DC Power Supply

12 Volt DC power supply is available and requires a standard power outlet to power the motor. The transformer is an alternative to a battery wand. Each transformer can power a single shade with a Simplicity motor. The power supply must plug in to the motor. The DC power supply is black and comes with a 80" wire. The dimensions are 1 7/8" wide x 3 1/4" length x 1 1/4" deep.



Standard Simplicity Motor Battery Wand Mounting

The battery wand is wall or ceiling mounted utilizing white battery wand clips. It also can be clipped to the Designer Cassette head rail.

Batteries are needed to operate Simplicity motors. The battery wand measures 17 1/4" and comes with eight alkaline batteries and is white in color.



Battery Wand

Color Lux® Roller Shades

SIMPLICITY CONTROL OPTIONS

Simplicity 7.4V Rechargeable and 12V Remote Control Option

Simplicity 14 Channel Remote

The Simplicity 14 Channel remote can operate up to fourteen shades individually or 14 groups. Simplicity Rechargeable Motorized Roller Shades are programmed at the factory with the “up and down” limits. The shades are **UNLINKED** from the remote so they are not able to operate during shipping. Each shade should be installed **after** linking it to the remote.



Simplicity 14 Channel remotes and holders are white or black in color. The remote comes with a holder which can be mounted to a wall for easy storage. The range of the remote is approximately 80 feet. A 14 Channel (14C) remote can be utilized on all Simplicity Motorized Shades.

Please Note: Unused channels can be hidden

THE FACTORY DOES NOT PROGRAM CHANNELS FOR SIMPLICITY RECHARGEABLE MOTORS.

The factory programs the upper and lower limits of every shade. Channel programming is completed after shade installation.

Please Note:

- Not all motors run at the same rate of speed.
- REMOTES ARE NOT LINKED TO SHADES FROM THE FACTORY. **SHADES MUST BE LINKED AFTER SHADE INSTALLATION.**
- Simplicity motors have a “Favorites” position setting. If the homeowner wants to set several shadings at the same intermediate position, follow instructions provided with installation manual.
- **WHEN ORDERING THE SIMPLICITY RECHARGEABLE, PLEASE ORDER THE NECESSARY BATTERY CHARGER.**

Standard Simplicity Battery Operated Motorized Shades Warranty

See Comfortex warranty for more information.

Color Lux® Roller Shades

SIMPLICITY SMART CONTROLLER



Simplicity Smart Controller Dimensions

- Width of controller: 2³/₈"
- Length of controller: 2¹⁵/₁₆"
- Height of controller: 1¹/₈"

Simplicity Smart Controller	
	<ul style="list-style-type: none"> • Works with Apple and Android devices • FREE Downloadable Application • Compatible with previously installed Simplicity Remote Control Shades • Powered by NEO Smart Blinds App • Compatible with Amazon Alexa, Google Assistant systems, Control4 and Savant systems

Simplicity Smart Controller

The Simplicity Smart Controller is a small device that you install in your home that allows you to set automatic opening and closing times for all Simplicity motorized shades as well as the ability to control your motorized shades from a phone, tablet or PC from anywhere in world.

The Simplicity Smart Controller will work with any Comfortex remote motorized shade with Simplicity remote control motors purchased after 2012.

The Simplicity Smart Controller plugs into a standard electrical outlet and connects to WiFi and sends signals to your shades using the same radio frequencies as a normal remote control.

How Does The NEO Smart Blinds App Work?

The app uses WiFi or cellular data to send commands over the internet to the Simplicity Smart Controller.

Do I Need Any Other Equipment?

Yes, The location where your shades are installed must have WiFi in order for the Simplicity Smart Controller to work. Additionally, you must have a smartphone or tablet running Android or iOS (eg. iPhone, iPad, Samsung Galaxy S7) and have the NEO Smart Blinds app. installed.

Why Would I Want A Simplicity Smart Controller?

There are two main ways the Simplicity Smart Controller adds additional value to your motorized shades. First, once all of your shades have been added, you can use your smartphone as a single remote for all of your shades that will work anywhere you are regardless of distance from the shade. Secondly, the device allows you to set schedules so your motorized shades automatically open and close without needing to do anything on a day to day basis.

Do I Need To Buy More Than 1 Controller?

The normal use for the Simplicity Smart Controller is to plug it in out of the way and forget it. Since it has roughly the same range as a remote you will want enough devices to allow all shades to be operated without moving the controller. So depending on the layout of the home and location of the shade, you might want multiple devices to have convenient full home coverage.

How Far Is The Range Of A Controller?

You should see a range of approximately 150 ft. However this number might be less depending on the layout of your home. In general we recommend one per a floor of a normal sized home.

Can I Control My Shades From Multiple Devices?

Yes! You can download the NEO Smart Blinds App onto multiple devices, After installing the App. on a new device simply log in with the same email/password on each device and you will have access to control your shades.

Can It Be Used With Already Installed Shades?

Yes! Simply follow the directions in the NEO Smart Blinds app. to add a shade. At the pairing step you can put the shade in pairing mode using the primary remote control (or by accessing the button on the shades motor). Adding the shade to the NEO Smart Blinds App. will not affect the normal remote operation.

How Much Does The NEO Smart Blinds App Cost?

The App is a free download, However you must have at least one Simplicity Smart Controller to serve as a bridge between the App and your shades.

COLOR LUX[®]

Custom Graphics



Color Lux® Custom Graphic Shades

ROLLER SHADE FEATURES & GENERAL INFORMATION

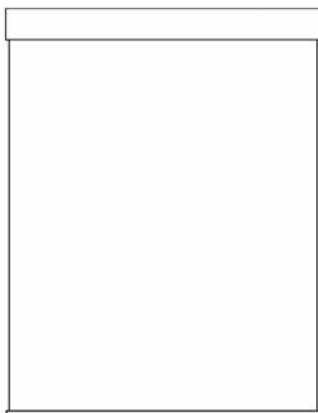
Print Photos, Logos, Artwork, Advertisements and More on Color Lux® Roller and Panel Track Shades!

With Color Lux® Custom Graphics you can print literally anything on a Color Lux® Roller or Panel Track Shade. From logos and advertisements for a store front, to personal photos and theme room graphics, virtually anything you imagine can be featured on a Color Lux® Roller or Panel Track Shade.

Color Lux® Custom Graphics are also available on Cellular Shades. See the **Comfortex Cellular Shade Collection Manufacturer's Price List and Reference Guide** for more information.



Side A
Shows Printed Image



Side B
White Fabric

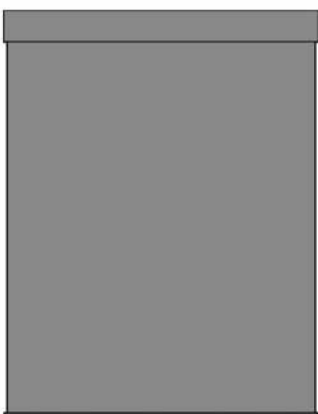
Single Sided Printing:

- Select a Roller or Panel Track Shade.
- Color Lux® Roller Custom Graphics Shades are available on Classic Duck Light Filtering, Classic Duck Blackout and 5% Screen.
- Use the Color Lux Custom Graphics Grids on pages 11 and 12.
- A Color Lux® solid color may be selected for the background color of your shade.
- You can choose to have Side A face the room side or the street side.
- Use the Color Lux® Custom Graphics Order Form

Please Note: When ordering a Color Lux® Panel Track System Shade with a custom graphic, the custom graphic will not line up. The fabric used on Color Lux® Panel Track Shades will be printed at the total width and length specified for the complete system and then will be cut into the number of panels specified. **The pattern on the adjacent panels will overlap by 1½”.**



Side A
Shows Printed Image



Side B
Solid Printed Color ONLY
(No Graphics)

Double Sided Printing -

Roller Shades on 5% Screen Fabric Only:

- Double sided printing is available only with Roller Shades.
- Double sided printing is only available on 5% Screen Fabric.
- Add the 40% Surcharge to the Standard Rectangular price found on page 12 plus desired hardware options.
- Side A can be any custom graphic.
- Side B can only be a Color Lux® solid color (NO GRAPHICS).
- You can choose to have Side A face the room side or the street side.
- A Color Lux® solid color may be selected for the background color of your shade.
- Use the Color Lux® Custom Graphics Roller Shade Order Forms.

Color Lux® Custom Graphic Shades

ROLLER SHADE FEATURES & GENERAL INFORMATION

How to order Color Lux® Custom Graphic Shades

STEP 1. FAX OR E-MAIL YOUR ORDER

Fax the appropriate Color Lux® Custom Graphics order form (Roller, Panel Track or Cellular) located on comfortex.com/comfortex-dealers to (800) 336-4580. Or e-mail the order form to customercare@comfortex.com. Upon receipt and review of your order, you will receive a work order confirmation number from Comfortex. Please be sure to reference this number when submitting your artwork in Step 2.

STEP 2. SOURCE AND SEND YOUR GRAPHIC

Source your graphic from a stock photo site such as www.istockphoto.com or use your own high resolution photography. Send your files via e-mail to: customgraphics@comfortex.com OR ship a CD/portable media containing your graphics to:

Color Lux® Custom Graphics
 Comfortex Window Fashions
 21 Elm Street
 Maplewood, New York 12189

Using Online Stock Agencies for Graphics for Your Shades

Sometimes, finding the right graphic or photograph to fit your shade size, shape, or content can be challenging. Fortunately, many web sites offer a great solution. Online stock agencies allow you to purchase reasonably priced, royalty-free digital illustrations, graphics, photographs, patterns, and more in thousands of different subject areas. Some of the more popular sites include:

- thinkstock.com
- istockphoto.com
- veer.com
- shutterstock.com
- gettyimages.com
- 123rf.com
- photosearch.com

Using these sites is easy, simply follow these steps:

Step 1. Create an account and search for your image (i.e. apples).

Step 2. Select, purchase, and download the image you like. You may be given a choice of sizes, so take care to select an option large enough for your needs. Be sure to include the Work Order Confirmation Number received from Comfortex Customer Service with your graphic files.

STEP 3. APPROVE YOUR PROOF

The Color Lux® Custom Graphic Team will email a PDF proof of your shade order which must be reviewed and approved for production to begin. Once the artwork is approved, it will take 2 weeks for your order to be printed, assembled, and shipped.

Color Lux® Graphic File Specifications Preferred Formats

- Vector files/Adobe Illustrator (AI or EPS)
Please convert all typography to paths prior to submitting your vector artwork.
- TIFF, JPG/JPEG, or Adobe Photoshop (PSD) files with a minimum resolution of 100 pixels per inch at 100% size. For example, a shade measuring 30" x 40" should be supported by a graphic measuring at least 3000 x 4000 pixels.
- Adobe Acrobat (PDF) files created in "Press Quality" or "High Quality Print" with a minimum resolution for all raster elements of 100 pixels per inch at 100% size.

Graphics optimized for, or harvested from the internet are, in general, not suitable for reproduction onto shades.

Comfortex will seek to verify ownership and rights to reprint for all images showcasing copyrighted material.

Questions? Please contact Comfortex Customer Care with all questions regarding Color Lux® Custom Graphic Orders.

5% Screen Fabric Properties

5% Screen		Optical Properties		Thermal Properties		
		OF	TV	RS	TS	AS
Composition: 70% PVC	Chalk	5%	13%	68%	17%	15%
30% PES	Phthalate Free	Formaldehyde Free				
Weight: 410 g/m ²	Lead Free	GreenGuard® Indoor Air Quality Certified				
UV Blockage: 95%	Zero VOC	Oeko-Tex Standard 100 Certified				
		Fire Rating: NFPA 701-10 TM #1				

Color Lux® Roller Shades

SHADE SHUTTER

SHADE SHUTTER by Comfortex Window Fashions goes beyond the traditional roller shade by creating the appearance of an interior shutter window treatment.

All SHADE SHUTTERS are produced on 5% PVC screen for easy cleaning and an excellent view through to the outside. Using Comfortex's cordless roller shade system and digital print technology, SHADE SHUTTERS are easy to order and provide a great solution for high traffic utility spaces like garages and carriage houses where an alternative to high cost traditional shutters is a perfect fit.

Pricing

Pricing for SHADE SHUTTER is **\$7.00 per square foot NET**.
 DEALER DISCOUNTS DO NOT APPLY.

Specifications

All SHADE SHUTTERS use White Cordless Deco-bar hardware, featuring fabric wrapped bottom rail and white valance attached to the Deco-bar to conceal the roll.

- Minimum width is 15½".
- Maximum width is 96".
- Maximum length is 96".

Louver Options

Two louver sizes are available in white only. Select a size when ordering.

- 3.5" Louver
- 4.5" Louver

Number of Panels

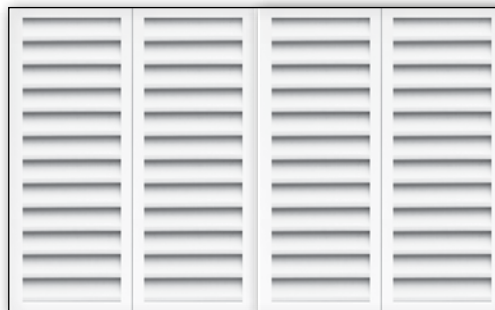
The ordered width will determine the number of panels printed on the shade. Panels will be divided into equal sizes for two and four panel options.



One Panel
 Width 24" or less



Two Panels
 Width 24½" to 48"



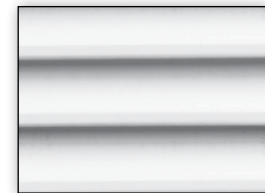
Four Panels
 Width 48½" to 96"



View From Outside



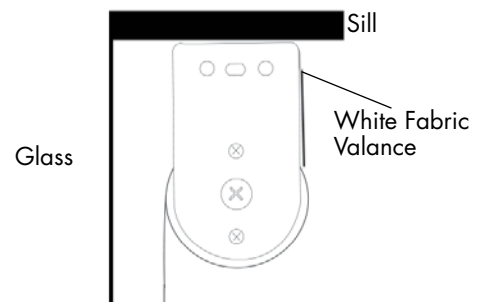
3.5" Louver

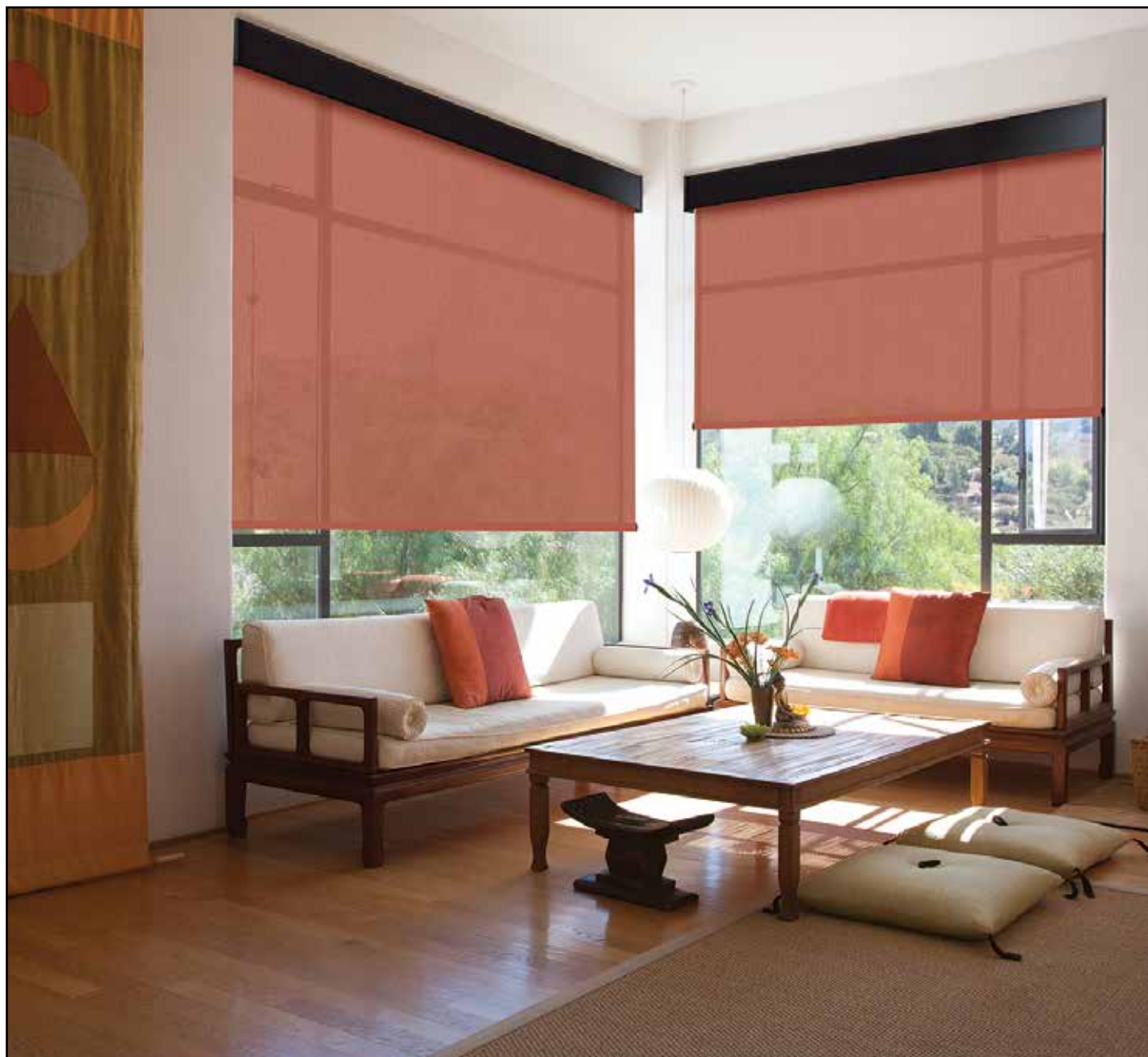


4.5" Louver

Shade Installation

SHADE SHUTTERS are printed on a reverse roll cordless deco-bar shade. When installing, the shade should be turned with the print side closest to the glass and the white valance facing the room.





 **Reverse Roll**

 **Measuring
Cleaning & Care**

 **Bottom Rail**

 **Child Safety**

 **Spring Assist**

Color Lux® Roller Shades

GENERAL INFORMATION

Reverse Roll on Color Lux Roller Shades

A reverse roll option is available at no extra charge with all Color Lux Roller Shade fabrics only on the Standard Roller Hardware and Cordless Roller with Deco-Bar Hardware. The reverse roll allows the fabric to roll off the front of the roller instead of the back (the traditional style). The reverse roll conceals the roller for a contemporary, tailored appearance.



White Cordless Roller with Deco-Bar in Standard Roll



Black Cordless Roller with Deco-Bar in Standard Roll



White Cordless Roller with Deco-Bar in Reverse Roll



Black Cordless Roller with Deco-Bar in Reverse Roll



Standard Roller in Standard Roll



Standard Roller in Reverse Roll

Bottom Rail Options

Color Lux Roller Shades can be built with your choice of 2 bottom rail options:

- Fabric Wrapped Bottom Rail (standard)
- Exposed Bottom Rail

Fabric Wrapped Bottom Rail

The shade fabric is wrapped around an elliptical grooved rail. Two clear plastic end caps secure the fabric in place. Select from bronze, white, vanilla, black or brushed aluminum.

Choose your bottom rail color when ordering.



Fabric Wrapped Bottom Rail

Exposed Bottom Rail

Select from bronze, white, vanilla, black or brushed aluminum bottom rail to add a decorative accent to the bottom of your shade. Two clear plastic end caps secure the fabric in place.

Choose your bottom rail color when ordering.



Bronze Exposed Bottom Rail

Spring Assist with Designer Cassette for Skyline Roller Shades

Spring assist is a great option for larger shades that reduces the pull force of cordloop operated shades by up to 40%.

Headrail Options

- The NEW Spring Assist system is now available exclusively with the Designer Cassette option.
- All Designer Cassette options are available.

Clutch and Beadchain Options

All Skyline Clutch finishes are available. Select from White, Ivory, Satin Nickel, Bronze and Black.

Spring Assist is not available for motors and cordless shades.

Shade Size Specification

- Available in Sections 1 and 3 of Fabric Grids.
- Fabric grids with sizes in Section 3 are now available with Designer Cassette when ordered with a Spring Assist option.
- Most fabrics have a maximum shade length of 144", some exceptions apply. See fabric grids for details.
- Minimum width is 36"

Add \$54 List PLUS Designer Cassette Surcharge.



All cordloop shades are available with Spring Assist. Select from any decorative clutch and Designer Cassette color

Spring Assist Finished Fabric Measurements

Mount	Skyline Cord Loop
Inside Mount:	Ordered width minus 1 1/4"
Outside Mount:	Ordered width minus 7/8"
Side Mount:	Ordered width minus 1 3/4"
Exact End to End Mount:	Ordered width minus 1 1/16"

Color Lux® Roller Shades

GENERAL INFORMATION

Measuring Instructions

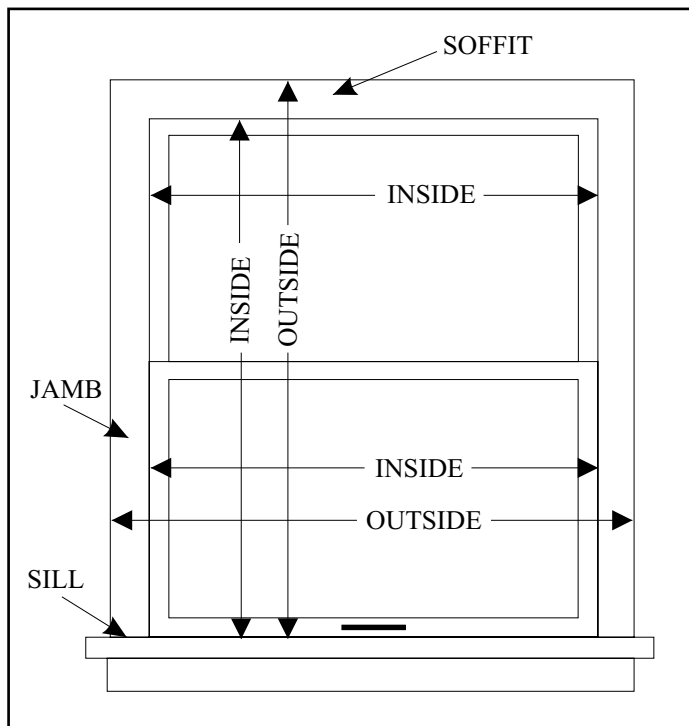
Comfortex accepts measurements down to 1/16" increments.

Inside Mount

Use a steel tape to measure the opening at three different places, and use the narrowest dimension when ordering. Be exact! The factory will make the deductions so it will not rub against the window casing. Measure the height of the window from the top (soffit) down to the sill.

Outside or Ceiling Mount

Use a steel tape to measure the exact height and width of the area to be covered. It is recommended that the blinds overlap the window by at least 1 1/2" on each side. When installation has no sill, allow the blind to overlap the bottom of the window casing by at least 1 1/2". Blind slats will measure width indicated on the order form.



Cleaning and Care

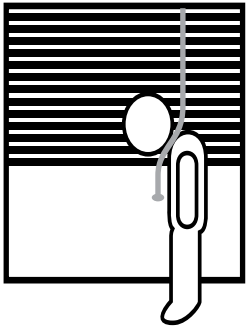
While beautiful and pleasing to the eye, all Comfortex products are designed to be durable, easily cared for and easily cleaned. The fabric can be dusted with a soft, clean cloth, feather duster or lightly vacuumed with a soft brush attachment. Spills and stains can be lightly blotted with a cloth or damp sponge.

For additional advice on care or cleaning, please contact our Technical Services Department.

Color Lux® Roller Shades GENERAL INFORMATION

⚠️ WARNING

⚠️ ADVERTENCIA



Window Blind Cord Can
STRANGLE Your Child.

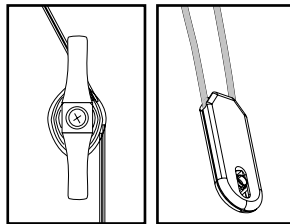
To prevent strangulation, purchase
cordless products or products with
inaccessible cords.

La cuerda ciega de la ventana
puede ESTRANGULAR su niño.

Para evitar el estrangulamiento,
compre alternativas inalámbricas o
productos con cables inaccesibles.

Child Safety

Comfortex has a long history of designing new child-safety products and is proud to provide a leadership role in cooperating with the Consumer Product Safety Commission (CPSC) for the development of policies and guidelines for the industry by serving on the WCMA Standards Development Committee.



Cord Cleat

Cord
Tensioner

All Comfortex products have been fully tested and proven to comply with the current WCMA Standards for safety of corded window coverings.

Be aware that it is possible for children to become entangled in window covering cords. To reduce the risk of accidents, all cords must be kept out of the reach of children.

A cord cleat or cord tensioner is an effective way to implement this essential precaution. Please use them.

To mount the cord cleat at a safe height, take into account furniture or other objects upon which a child may climb. Then, after the use of the blind, simply wrap the excess cord around the cleat.

COLOR LUX ROLLER SHADES

	Page
Hardware Options	1
Skyline Hardware	3
Fabric Information	5

PRICE GRIDS

Strata - Light Filtering	Price Group 1	7
Linen - Light Filtering	Price Group 2	8
Linen - Blackout	Price Group 3	9
Classic Duck - Light Filtering	Price Group 4	10
Classic Duck - Blackout	Price Group 5	11
5% Screen (PVC)	Price Group 6	12
Color Lux Custom Graphics		
Classic Duck - Light Filtering	Price Group 7	13
Classic Duck - Blackout	Price Group 8	14
5% Screen	Price Group 9	15
Shutter Shade		46

HARDWARE

Skyline Standard Roller	16
Cordless Roller Deco-Bar	18
FeatherTouch Cordless with EZ Mount	22
Designer Cassette Insert Strip	24
Two-On-One Headrail	25
Dual Roller	26
Retractable Cord	28
4" Skyline Fascia	30
Friction Fit Mounting System	32
Simplicity Bluetooth Motorization	35
PowerTouch Rechargeable	33
12V Low Voltage Hardwiring	39
12V Simplicity Motorization	40
Simplicity Smart Controller	42
Color Lux Custom Graphic Shades	43
Shutter Shade	46

COLOR LUX ROLLER SHADES- CONTINUED

GENERAL INFORMATION

Reverse Roll	48
Bottom Rail	48
Cleaning and Care.....	52
Measuring	52
Child Safety	53



Midwest
Designer
Supply

1-888-523-2611

**Midwest Designer Supply, Inc.
N30W22377 Green Road Ste C
Waukesha, WI 53186
(262) 523-2600
Fax (262) 524-1007
www.midwestdesignersupply.com**

MDS - your one source for window fashions.